



扫一扫，了解更多

FREE-VALVE

RUBBER LINED FLUORINE LINED VALVE

孚瑞衬胶衬氟系列

郑州孚瑞流体控制技术有限公司

Zhengzhou Free Fluid Control Technology Co.,Ltd

No.93 Zizhu Road, High-Tech Development Zone, Zhengzhou City, Henan, China

TEL: +86 371-55019379, +86 13523029957

E-mail:sales@free-valve.com

<http://www.free-valve.com>



郑州孚瑞流体控制技术有限公司

Zhengzhou Free Fluid Control Technology Co.,Ltd

FREE-VALVE
RUBBER LINED
FLUORINE LINED VALVE
孚瑞衬胶衬氟系列



发展前景

DEVELOPMENT PROSPECT

企业文化从物质层中的“企业为员工创造的工作环境”到观念层中的“企业精神和宗旨”，再到精神层中的“预期，价值观”等，都对企业内的员工有着一定的激励作用。优良的工作环境和良好心理预期会使企业员工从内心产生一种情绪高昂、奋发进取的效应。

企业文化的作用正是通过激励来满足人的精神需要，使员工产生归属感、自尊感和成就感，从而调动员工的精神力量。由于它迎合了人的需要，适应了人的本质，因此企业文化的激励作用比其他任何形式都更有效。

The enterprise culture, from the "working environment made for the staff members by the enterprise" in the layer of substances to the "enterprise spirit and motto" in the layer of concept, then to the "expectation, concept of value" etc. in the layer of spirit, offers a kind of encouragement to the staff members and an excellent working environment and a good psychological expectation will make such an effect as high spirits and forging-ahead produced from the heart of them.

What is the action of the enterprise culture is just by means of encouragement to satisfy the need of spirit for people and to make staff members a sense of ascription, a sense of self-respect and a sense of achievement so as to arouse their spiritual strength and, because the enterprise culture caters to the need of people and suits for the nature of people, so its encouraging action comes as being more effective than any other forms.



产品展示 SHOW OF THE PRODUCTS

产品展示 SHOW OF THE PRODUCTS



G41J-10/16 衬胶隔膜阀 Rubber Lined Diaphragm Valve
G45J-10/16 衬胶隔膜阀 Rubber Lined Diaphragm Valve
G941J-10/16 衬胶电动隔膜阀 Electric Rubber Lined Diaphragm Valve
G6B41J-10/16 衬胶气动隔膜阀 Pneumatic Rubber Lined Diaphragm Valve



G6K41J-10/16 衬胶气动隔膜阀 Pneumatic Rubber Lined Diaphragm Valve
G641J-10/16 衬胶气动隔膜阀 Pneumatic Rubber Lined Diaphragm Valve
EG46J-10/16 直通衬胶隔膜阀 Straight Way Rubber Lined Diaphragm Valve
EG6B41J-10/16 衬胶气动隔膜阀 Pneumatic Rubber Lined Diaphragm Valve



EG6K41J-10/16 衬胶气动隔膜阀 Pneumatic Rubber Lined Diaphragm Valve
EG641J-10/16 衬胶气动隔膜阀 Pneumatic Rubber Lined Diaphragm Valve
EG41J-10/16 英标衬胶隔膜阀 BS Rubber Lined Diaphragm Valve
EG41F46-10/16 英标衬氟隔膜阀 BS Fluorine Lined Diaphragm Valve



G641F4-10/16 衬氟气动隔膜阀 Pneumatic Fluorine Lined Diaphragm Valve
EG41W-10P 不锈钢隔膜阀 Stainless Steel Diaphragm Valve
卫生级隔膜阀 Sanitary Diaphragm Valve
塑料隔膜阀 Plastic Diaphragm Valve



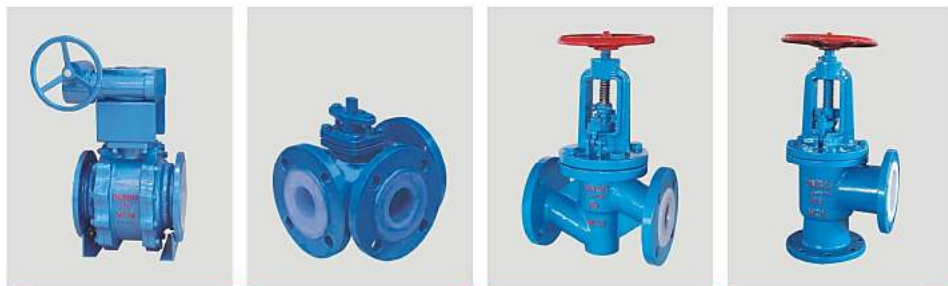
D71F4-10/16 对夹式全衬四氟蝶阀 Wafer Type Fully PTFE Lined Butterfly Valve
D341F4-10/16 法兰式全衬四氟蝶阀 Flange Type Fully PTFE Lined Butterfly Valve
D371F46-10/16 对夹式衬氟蝶阀 Water Type Fluorine Lined Butterfly Valve
D341F46-10/16 法兰式衬氟蝶阀 Flange Type Fluorine Lined Butterfly Valve



D371J-10/16 对夹式衬胶蝶阀 Wafer Type Rubber Lined Butterfly Valve
D341J-10/16 法兰式衬胶蝶阀 Flange Type Rubber Lined Butterfly Valve
FQF46-10/16 衬氟放料阀 Fluorine Lined Feeding Valve
Q41J-10/16 衬氟球阀 Fluorine Lined Ball Valve

产品展示 SHOW OF THE PRODUCTS

产品展示 SHOW OF THE PRODUCTS



Q341F46-10/16 衬氟蜗轮球阀
Fluorine Lined Worm Wheel Ball Valve

Q44F46-10/16 衬氟三通球阀
Fluorine Lined Three-way Ball Valve

J41F46-10/16 衬氟截止阀
Fluorine Lined Globe Valve

J44F46-10/16 衬氟截止阀
Fluorine Lined Globe Valve



J41J-10/16 衬胶截止阀
Rubber Lined Globe Valve

J641F46-10/16 衬氟气动调节阀
Pneumatic Fluorine Lined Control Valve

H41F46-10/16 衬氟止回阀
Fluorine Lined Check Valve

H44J-10/16 衬胶旋启式止回阀
Rubber Lined Swing Type Check Valve

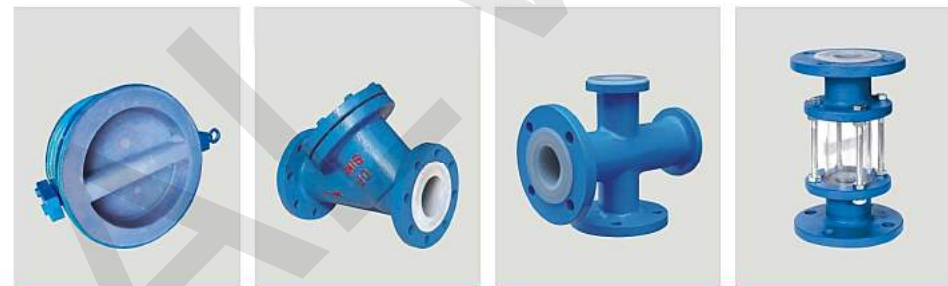


H44F46-10/16 衬氟旋启式止回阀
Fluorine Lined Swing Type Check Valve

H40F46-10/16 衬氟浮球式止回阀
Fluorine Lined Ball Float Type Check Valve

H42F46-10/16 衬氟止回阀
Fluorine Lined Check Valve

H74F46-10/16 衬氟止回阀
Fluorine Lined Check Valve



H76F46-10/16 衬氟止回阀
Fluorine Lined Check Valve

衬氟Y过滤器
Fluorine Lined Y Type Strainer

衬氟管件
Fluorine Lined Pipe Fitting

衬氟视镜
Fluorine Lined Horizontal Sight Glass



Z41F46-10/16 衬氟闸阀
Fluorine Lined Gate Valve

Z42J-10/16 衬胶双面密封闸阀
Rubber Lined Gate Valve

衬氟视镜
Fluorine Lined Vertical Sight Glass

衬氟补偿器
FB Type PTFE Expansion Joint



GJ41X-10/16 衬胶管夹阀
Rubber Lined Pinch Valve

X43F4/F46衬氟旋塞阀
Fluorine Lined Plug Valve

GJ841X管夹阀
Pinch Valve

衬氟管件
Fluorine Lined Pipe Fitting

目录 CONTENTS

衬里材料 Lining materials.....	01-02
隔膜阀 Diaphragm valve.....	03-05
G45J型直流式衬胶隔膜阀 Rubber-lined diaphragm valve.....	06
G941电动衬胶、衬氟塑料隔膜阀 Electric rubber-lined, fluorine-lined plastic diaphragm valve.....	07
G6B41气动衬胶、衬氟塑料隔膜阀(常闭式) Pneumatic rubber-lined, fluorine-lined plastic diaphragm valve (normal-close type).....	08-09
G6K41气动衬胶、衬氟塑料隔膜阀(常开式) Pneumatic rubber-lined, fluorine-lined plastic diaphragm valve (normal-open type).....	10-11
G46W、G46J、EG46J新型直通式隔膜阀 Through-way diaphragm valve.....	12
G46W、G46J、EG46J型直通式隔膜阀 Through-way diaphragm valve.....	13
EG946W(J)型电动直通式(衬胶)隔膜阀 Electric through-way (rubber-lined) diaphragm valve.....	14
EG646J气动直通式衬胶隔膜阀 Pneumatic through-way rubber-lined diaphragm valve.....	15
EG6B41J英标气动衬胶、衬氟隔膜阀(常闭式) Standard pneumatic rubber-lined, fluorine-lined plastic diaphragm valve (normal-close type).....	16
EG6K41J英标气动衬胶、衬氟塑料隔膜阀(常开式) Standard pneumatic rubber-lined, fluorine-lined plastic diaphragm valve (normal-open type).....	17
EG641J气动衬胶、衬氟塑料隔膜阀(无手操作往复式) Pneumatic rubber-lined, fluorine-lined plastic diaphragm valve (without hand-operated reciprocating type).....	18
ZJHFG/ZSFG-0.6/1.0 K/B 气动薄膜调节阀/切断隔膜阀 Pneumatic film adjustment/cut-off diaphragm valve.....	19
D3741F46J衬氟蝶阀 Fluorine-lined butterfly valve.....	20
D341F46J衬氟蝶阀 Fluorine-lined butterfly valve.....	21
Q41F46手动、气动、电动衬氟塑料球阀 Manual, pneumatic, electric fluorine-lined plastic ball valve.....	22
FQ41F46球阀 Ball valve.....	23
J41F46J电动、气动、手动衬胶、衬氟塑料截止阀 Manual, pneumatic, electric fluorine-lined rubber-lined, fluorine-lined plastic stop valve.....	24
J44F46法兰连接手动截止阀(角式) Linked manual stop valve (angular type).....	25
J45J直流式衬胶、衬氟塑料截止阀 Rubber-lined, fluorine-lined plastic stop valve.....	26
ZJHPF46 衬氟调节阀 Fluorine-lined adjusting valve.....	27
H41JF46升降式衬胶、衬氟止回阀 Lifting-type rubber-lined, fluorine-lined check valve.....	28
H44F46J旋启式衬胶止回阀 Rubber-lined check valve.....	29
H40F46J浮球式衬胶、衬氟塑料止回阀 Floating-ball type rubber-lined, fluorine-lined plastic check valve.....	30
H42F46衬氟止回阀 Fluorine-lined check valve.....	31
H74F46J衬氟单瓣旋启式止回阀 Fluorine-lined single-disk swing-type check valve.....	32
GJ45F46 Y型衬氟过滤器 Fluorine-lined filter.....	33
Z41F46J衬氟闸阀 Fluorine-lined gate valve.....	34
Z-42J衬胶模型闸阀 Rubber-lined Gate valve.....	35
HGSO7衬氟视镜 Fluorine-lined sight glass.....	36-37
BCQ衬氟补偿器 Fluorine-lined compensator.....	38
GJ41X管夹阀 Tube pinch valve.....	39
GJ841X管夹阀 Tube pinch valve.....	40
国标X41F46衬氟旋塞阀 National-standard fluorine-lined plug valve.....	41-42

衬里材料 Lining materials

特点 Characters

隔膜阀是一种特殊式的截断阀，它与其它阀门相比具有以下特点：

1. 弹性密封的关闭件，确保没有内漏；
2. 流线型的流道，使得压力损失小；
3. 没有填料，因此没有外漏；
4. 阀门与盖被中间隔膜隔开，使得隔膜上方的阀盖、阀杆等零件不受介质侵蚀；
5. 隔膜可更换，维护费用低；
6. 衬里材料的多样性，可选用于各种介质，并具有良好的耐腐蚀性。

Diaphragm valve comes as a cutoff valve of a special type and, compared with other valves, features the following characters:

1. The closure of the elastic seal makes sure of non-leak from the inside;
2. The streamlined runner makes a small pressure loss;
3. There is no outward leak, as there is no packing;
4. A middle diaphragm is set between both valve and cover so as have the bonnet, stem etc. parts on the upper of the diaphragm without getting eroded by the medium;
5. The diaphragm is replaceable, leaving a low cost of maintenance;
6. The variety of the lining materials can be utilized for various media and makes the said materials a good anti-corrosiveness.

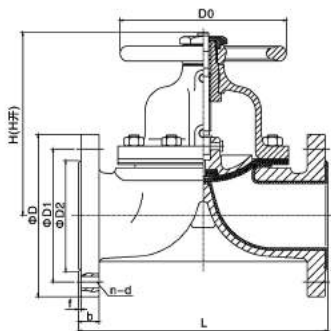
阀体衬里材料的使用温度和适用介质 Temperature of use and suitable media of the body lining materials

衬里材料(代号) Lining material (code)	使用温度 Temperature of use (°C)	适用介质 Applicable medium
※硬橡胶(NR)	-10°C~+85°C	除强氧化剂(如硝酸、铬酸、浓硫酸及过氧化氢等)和有有机溶剂)外的氢氟酸、氟硅酸、蚁酸和酚酸、盐酸、30%硫酸、50%氢氟酸、80%磷酸、碱、盐类、镀金属溶液、氢氧化钠、氢氧化钾、中性盐水溶液、10%次氯酸钠、湿氯气、氨水、大部分醇类、有机酸及醚类等。 Exclusive of strong oxidants (such as nitric acid, thick fluoric acid, hydrogen peroxide etc. and organic solvents), hydrochloric acid, fluorosilicic acid, formic acid and phenolic acid, hydrochloric acid, 30% sulfuric acid, 50% hydrofluoric acid, 80% phosphoric acid, alkali, saline, metal-plating solution, sodium hydroxide, potassium hydroxide, neutral brine solution, 10% sodium hypochlorite, wet chlorine, most alcohols, organic acid, aldehyde etc.
软橡胶(BR)	-10°C~+85°C	水泥、粘土、煤渣灰、颗粒状化肥及磨擦性较强的固态流体、各种浓度筒粘液等。Cement, clay, cinder ash, granular chemical fertilizer and powerfully worn-out solid fluid, the cylinder mucus of various concentrations.
乙丙胶(EPDM)	≤120°C	具有天然橡胶相似的耐酸、碱性能，用于低压蒸汽、热水、冷水性能极为良好。Of the acid-alkali resistance similar to that of the natural rubber, used for low pressure steam, hot water, cold water, very excellent performance.
丁基胶(HR)	-10°C~+120°C	有机酸、碱和氢氧化合物、无机盐及无机酸、元素气体醇类、醚类、酮类、酯类等。 Organic acid, alkali and oxyhydroxide, inorganic salt and inorganic acid, aldehyde, ether, ketone, ester etc.
聚四氟乙烯PTFE(F4)	≤180°C	强酸、强碱、强氧化剂、有机溶剂等。 Strong acid, strong alkali, strong oxidant, organic solvent, etc.
聚全氟乙丙烯塑料FEP(F46)	≤150°C	任何有机溶剂或试剂、稀或浓无机酸、碱、醇、酮、芳烃、氯化烃等。 Any organic solvent or reagent, dilute or concentrated inorganic acid, alkali, alcohol, ketone, aromatic hydrocarbon, chlorinated hydrocarbon, etc.
可溶性聚四氟乙烯塑料PFA	≤180°C	强酸、强碱、强氧化剂、有机溶剂等。 Strong acid, strong alkali, strong oxidant, organic solvent, etc.
聚丙烯PP	≤100°C	无机盐类的水溶液、无机酸类、碱类的稀或浓溶液。 An aqueous solution of inorganic salts, inorganic acids, or alkaline or concentrated solutions.
聚烯烃PO	≤110°C	无机盐类的水溶液、无机酸类、碱类的稀或浓溶液。 An aqueous solution of inorganic salts, inorganic acids, or alkaline or concentrated solutions.
聚氯乙烯(硬质)PVC	≤60°C	耐水、浓碱、非氧化性酸、烷烃、油和臭氧等。 Water resistant, concentrated alkali, non-oxidizing acid, chain hydrocarbon, oil and ozone.

隔膜阀
Diaphragm valve

EG41W-16,10,6型 G41W-10,6型
EG41J-16,10,6型 G41J-10,6型
EG41JF46-16,10,6型 G41F46-10,6型

设计与制造按 Design and manufacture: GB12239或BS5156
结构长度按 Structure length: GB12221或BS5156
法兰连接尺寸按 Flange connection size: GB4216.4或BS4504
试验与检验按 Test and inspection: GB/T13927或BS5156



性能规范 Performance specification

型号 Model	公称压力PN(MPa)	试验压力Ps(MPa)		适用介质 Applicable medium	工作温度(°C) Working temperature
		壳体试验 Shell test	密封试验 Sealing test		
EG41J-6	0.6	0.9	0.66	W. 非腐蚀性流体 Non-corrosive fluid	≤100
EG41J-10	1.0	1.5	1.1	J. 一般腐蚀性流体 Generally corrosive fluid	≤85
EG41J-116	1.6	2.4	1.76	F4. 强酸、碱及各种有机溶剂 (熔融碱金属及元素氟除外) Strong acid, alkali and various organic solvents (exclusive of molten alkali metal and elemental fluorine)	≤150
G41J-16	0.6	0.9	0.66		
G41J-110	1.0	1.5	1.1		

主要零件材料 Main parts

零件名称 Part name	阀体 valve body	阀瓣、阀盖 Disc and cover	阀杆 Valve stem	隔膜 Diaphragm	手轮 Handwheel
材料 Material	HT200衬橡胶 HT200 Lining rubber	HT200	35	各种基型橡胶 Various basic-type rubbers	HT200
材料 Material	HT200衬氟塑料 HT200 lining fluorine plastic	HT200	35	氟塑料 Fluorine plastic	HT200
材料 Material	HT200	HT200	35	天然橡胶 Natural rubber	HT200

注: 适用介质一栏中“W”是指阀体不衬任何材料; “J”是指阀体衬硬橡胶; “F46”是指阀体衬氟塑料。
Note: In the suitable media column, “W” means the body without being lined; “J” means the body lined with hard rubber; “F46” means the body lined with fluorine plastic.

隔膜阀
Diaphragm valve

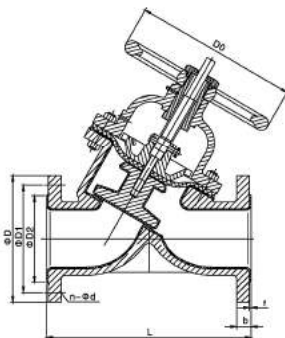
EG41W-16,10,6型 G41W-10,6型
EG41J-16,10,6型 G41J-10,6型
EG41WF46-16,10,6型 G41F46-10,6型

外形尺寸、连接尺寸及重量 Dimensions, connection size and weight

型号 Model	公称口径 DN(mm)	尺寸 Dimensions(mm)								重量(kg) weight
		J型	W型	f	D1	D	D0	n-d	H	
EG41 ^W _{F46} -6	20	121	117	2	75	105	70	4-14	92	3
	25	131	127	2	85	115	83	4-14	96	4
	32	150	146	2	100	140	114	4-18	131	6.5
	40	163	159	2	110	150	114	4-18	142	7.5
	50	194	190	2	125	165	140	4-18	167	10.5
EG41 ^W _{F46} -10	65	220	216	2	145	185	165	4-18	203	17.5
	80	258	254	2	160	200	230	8-18	216	25
	100	309	305	2	180	220	280	8-18	270	36
	125	362	356	3	210	250	280	8-18	319	47
	150	412	406	3	240	285	368	8-22	365	73
EG41 ^W _{F46} -16	200	529	521	4	295	340	483	8-22	462	142
	250	641	635	4	350	395		12-22		
	300	757	749	4	400	445		12-22		
G41 ^W _{F46} -6,10	15	125		2	65	95	100	4-14		4.5
	20	135		2	75	105	100	4-14		4.5
	25	145		2	85	115	120	4-14	121	5
	32	160		2	100	140	120	4-18	132	7
	40	180		3	110	150	140	4-18	156	8.5
	50	210		3	125	165	140	4-18	169	13
	65	250		3	145	185	200	4-18	202	18
	80	300		3	160	200	200	8-18	216	24
	100	350		3	180	220	280	8-18	270	39
	125	400		3	210	250	320	8-18	338	60
G41 ^W _{F46} -10	150	460		3	240	285	320	8-22	384	81
	200	570		4	295	340	400	8-22	518	150
	250	680		4	350	395	500	12-22	598	243
	300	790		4	400	445	560	12-22	698	335
	350	900		4	460	505	560	16-22	728	520
400	1000		4	515	570	600	16-26	1078	600	

G45J型直流式衬胶隔膜阀
Rubber-lined diaphragm valve

G941电动衬胶、衬氟塑料隔膜阀
Electric rubber-lined, fluorine-lined plastic diaphragm valve



设计与制造按: GB12239
结构长度按: GB12221
法兰连接尺寸按: HG20592
试验与检验按: GB/T13927
Design and manufacture: GB12239
Structure length: GB12221
Flange connection size: HG20592
Test and inspection: GB/T13927

性能规范 Performance specification

型号 Model	公称压力 PN(MPa)	试验压力Ps(MPa)		适用介质 Applicable medium	工作温度(°C) Working temperature
		壳体试验 Shell test	密封试验 Sealing test		
G45J-6	0.6	0.9	0.66	一般腐蚀性流体 Generally corrosive fluid	≤85
G45J-10	1.0	1.5	1.1		

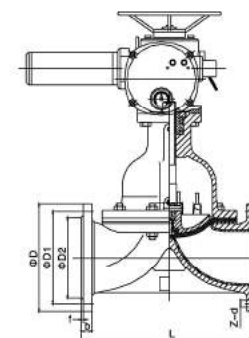
主要零件材料 Main parts

零件名称 Part name	阀体、阀瓣 Valve body, disc	阀盖 Cover	阀杆 Valve stem	隔膜 Diaphragm	手轮 Handwheel
材料 Material	HT200衬橡胶 Lining rubber	HT200	35	各种基型橡胶 Various basic-type rubbers	HT200

外形尺寸、连接尺寸及重量 Dimensions, connection size and weight

型号 Model	公称通径 DN(mm)	尺寸 Dimensions(mm)						重量(kg) weight
		L	D1	D	n-d	H	H1	
G45J-6	32	180	100	140	4-18			7
	40	180	110	150	4-18	203	216	8.5
	50	210	125	165	4-18	213	229	14
	65	250	145	185	4-18	248	268	18
	80	300	160	200	8-18	281	305	30
	100	350	180	220	8-18	332	362	42.3
	125	400	210	250	8-18	-	-	-
	150	460	240	285	8-22	450	496	80
	200	570	295	340	8-22	594	654	150.2
250	680	350	395	12-22	695	771	236.3	

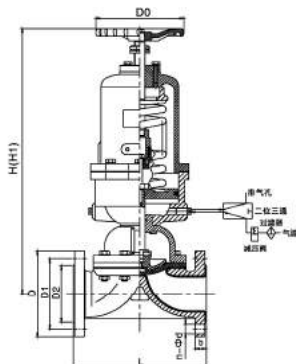
设计与制造按 Design and manufacture: GB12239或BS5156
结构长度按 Structure length: GB12221或BS5156
法兰连接尺寸按 Flange connection size: HG20592或BS4504
试验与检验按 Test and inspection: GB/T13927或BS5156



外形尺寸、连接尺寸及重量 Dimensions, connection size and weight

型号 Model	公称通径 DN(mm)	尺寸 Dimensions(mm)						气动装置 Pneumatic device			重量(kg) weight
		J型	W型	D1	D	n-d	H	型号 Model	输出力矩 Output torque N·m	启闭时间 Opening and closing time (s)	
G941 ^W _{F46} -10	15	125		65	95	4-14	445				
	20	135		75	105	4-14	457				
	25	145		85	115	4-14	466	Z5-18/16	50	17	40
	32	160		100	140	4-18	480	Z5-18/16	50	20	42
	40	180		110	150	4-18	517	Z5-18/16	50	14	45
	50	210		125	165	4-18	539	Z10-18/16	50	20	50
	65	250		145	185	4-18	576	Z10-18/16	150	28	60
	80	300		160	200	8-18	634	Z10-36/25	100	16	70
	100	350		180	220	8-18	660	Z10-36/25	100	17	80
	125	400		210	250	8-18	860	Z15-18/25	150	32	104
G941 ^W _{F46} -6	150	460		240	285	8-22		Z15-18/25	150	53	125
	200	570		295	340	8-22	1003	Z15-18/25	200	53	180
	250	680		350	395	12-22		Z15-18/25	200	53	280
	300	790		400	445	12-22		ZD30-36a	300	45	484
	350	900		460	505	16-22		ZD30-36a	300	45	

G6B41气动衬胶、衬氟塑料隔膜阀(常闭式)
Pneumatic rubber-lined, fluorine-lined plastic diaphragm valve (normal-close type)



设计与制造按: GB12239
结构长度按: GB12221
法兰连接尺寸按: HG20592
试验与检验按: GB/T13927
Design and manufacture: GB12239
Structure length: GB12221
Flange connection size: HG20592
Test and inspection: GB/T13927

性能规范 Performance specification

型号 Model	公称压力 PN(MPa)	试验压力Ps(MPa)		适用介质 Applicable medium	工作温度(°C) Working temperature
		壳体试验 Shell test	密封试验 Sealing test		
G6B41 ^W _{F46} -6	0.6	0.9	0.66	W.非腐蚀性流体 Non-corrosive fluid	≤ 100
				J.一般腐蚀性流体 Generally corrosive fluid	≤ 85
G6B41 ^W _{F46} -4	0.4	0.6	0.44	Fs.强酸、碱及各种有机溶剂 (熔融碱金属及元素氟除外) Strong acid, alkali and various organic solvents (exclusive of molten alkali metal and elemental fluorine)	≤ 150

主要零件材料 Main parts

零件名称 Part name	阀体 Valve body	阀瓣 Disc	气缸、气缸盖 Cylinder, cylinder cover	螺杆、阀体、活塞 Screw, body, piston	隔膜 Diaphragm
材料 Material	HT200衬氟塑料、衬橡胶 Lining fluorine plastic, lining rubber	HT200	HT200	35	天然橡胶、氟塑料 Natural rubber, fluorine plastic

G6B41气动衬胶、衬氟塑料隔膜阀(常闭式)
Pneumatic rubber-lined, fluorine-lined plastic diaphragm valve (normal-close type)

外形尺寸、连接尺寸及重量 Dimensions, connection size and weight

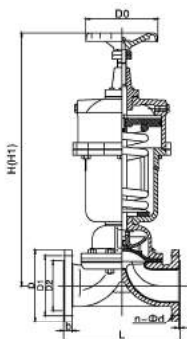
型号 Model	公称口径 DN(mm)	尺寸 Dimensions(mm)						气动装置 (mm) Pneumatic device		重量(kg) weight
		L	D1	D	n-d	H1	D0	耗气量cm ³ Air consumption	气源压力MPa Air source pressure	
G6B41 ^W _{F46} -6	25	145	85	115	4-14	296	120	2.395 × 10 ²	0.4	8
	32	160	100	140	4-18	398	140	6.082 × 10 ²	0.4	15
	40	180	110	150	4-18	406	140	6.082 × 10 ²	0.4	17
	50	210	125	165	4-18	464	160	1.235 × 10 ³	0.4~0.5	26
	65	250	145	180	4-18	-	160	3.725 × 10 ³	0.4~0.5	32
	80	300	160	200	8-18	645	200	3.725 × 10 ³	0.4~0.5	56
	100	350	180	220	8-18	665	240	9.458 × 10 ³	0.4~0.5	100
	125	400	210	250	8-18	832	320	1.409 × 10 ⁴	0.4~0.5	170
	150	460	240	285	8-22	933	320	2.868 × 10 ⁴	0.5	232
G6B41 ^W _{F46} -4	200	570	295	340	8-22	1275	400	4.619 × 10 ⁴	0.5	386

注: 1、气动隔膜阀尚可附装反馈信号、限位器或定位器、以适应自控、程控或调节流量的需要。
2、气动阀门的反馈信号采用无触点传感技术。
3、采用薄膜式气缸替代活塞式气缸, 排除了活塞环易磨损而导致无法启闭阀门的弊端。
4、当气源发生故障时, 可操作手轮使阀门开启。

Note:

- The pneumatic diaphragm valve can be still set with feedback signal, limiter or locator so as to suit for the need of automatic control, programmable control or flow adjustment.
- The feedback signal of the pneumatic valve uses contact-free sensing technique.
- Instead of a piston cylinder, a membrane one is used to settle the disadvantage that the valve is unable to open and close due to the easily damageable piston ring.
- In case of a failure with the air source, the valve can be opened and closed by operating the handwheel.

G6K41气动衬胶、衬氟塑料隔膜阀(常开式)
Pneumatic rubber-lined, fluorine-lined plastic diaphragm valve (normal-open type)



设计与制造按: GB12239
结构长度按: GB12221
法兰连接尺寸按: HG20592
试验与检验按: GB/T13927
Design and manufacture: GB12239
Structure length: GB12221
Flange connection size: HG20592
Test and inspection: GB/T13927

性能规范 Performance specification

型号 Model	公称压力 PN(MPa)	试验压力Ps(MPa)		适用介质 Applicable medium	工作温度(°C) Working temperature
		壳体试验 Shell test	密封试验 Sealing test		
G6k41 ^W _{F46} -6	0.6	0.9	0.66	W.非腐蚀性流体 Non-corrosive fluid	≤ 100
				J.一般腐蚀性流体 Generally corrosive fluid	≤ 85
G6k41 ^W _{F46} -4	0.4	0.6	0.44	Fs.强酸、碱及各种有机溶剂 (熔融碱金属及元素氟除外) Strong acid, alkali and various organic solvents (exclusive of molten alkali metal and elemental fluorine)	≤ 150

主要零件材料 Main parts

零件名称 Part name	阀体 Valve body	阀瓣 Disc	气缸、气缸盖 Cylinder, cylinder cover	螺杆、阀体、活塞 Screw, body, piston	隔膜 Diaphragm
材料 Material	HT200衬氟塑料、衬橡胶 Lining fluorine plastic, lining rubber	HT200	HT200	35	天然橡胶、氟塑料 Natural rubber, fluorine plastic

G6K41气动衬胶、衬氟塑料隔膜阀(常开式)
Pneumatic rubber-lined, fluorine-lined plastic diaphragm valve (normal-open type)

外形尺寸、连接尺寸及重量 Dimensions, connection size and weight

型号 Model	公称通径 DN(mm)	尺寸 Dimensions(mm)						气动装置 (mm) Pneumatic device		重量(kg) weight
		L	D1	D	n-d	H1	D0	耗气量cm³ Air consumption	气源压力MPa Air source pressure	
G6k41 ^W _{F46} -6	25	145	85	115	4-14	360	120	2.395 × 102	0.4	7.5
	32	160	100	140	4-18	-	140	6.082 × 102	0.4	14.3
	40	180	110	150	4-18	415	140	6.082 × 102	0.4	16.5
	50	210	125	165	4-18	458	160	1.235 × 103	0.4-0.5	24
	65	250	145	180	4-18	-	160	3.725 × 103	0.4-0.5	30
	80	300	160	200	8-18	642	200	3.725 × 103	0.4-0.5	51
	100	350	180	220	8-18	710	240	9.458 × 103	0.4-0.5	92
	125	400	210	250	8-18	804	320	1.409 × 104	0.4-0.5	148
	150	460	240	285	8-22	920	320	2.868 × 104	0.5	200
G6k41 ^W _{F46} -4	200	570	295	340	8-22	1145	400	4.619 × 10 ³	0.5	275

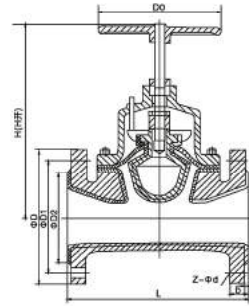
注: 1、气动隔膜阀尚可附装反馈信号、限位器或定位器、以适应自控、程控或调节流量的需要。
2、气动阀门的反馈信号采用无触点传感技术。
3、采用薄膜式气缸替代活塞式气缸, 排除了活塞环易磨损而导致无法启闭阀门的弊端。
4、当气源发生故障时, 可操作手轮使阀门开启。

Note:

- The pneumatic diaphragm valve can be still set with feedback signal, limiter or locator so as to suit for the need of automatic control, programmable control or flow adjustment.
- The feedback signal of the pneumatic valve uses contact-free sensing technique.
- Instead of a piston cylinder, a membrane one is used to settle the disadvantage that the valve is unable to open and close due to the easily damageable piston ring.
- In case of a failure with the air source, the valve can be opened and closed by operating the handwheel.

G46W、G46J、EG46J 新型直通式隔膜阀
Through-way diaphragm valve

专利号: 2014 2 0034137.4



脱硫专用阀门新改进技术要点:

- 1、精确控制: 增加指示机构, 使操作者通过指示杆达到精确启闭。
- 2、寿命: 通过特殊型倒钟阀芯与特殊型两端阀腔配合, 极大增加使用寿命, 保障压力持续平衡。
- 3、密封性: 通过特殊型倒钟阀芯配合密封凸缘构成一个坚实的密封结构。
- 4、防腐: 通过对阀体内部全覆盖的模压防腐涂层, 提升内部防腐能力。
- 5、介质: 抗腐蚀、耐磨耗、能耐大多数的有机酸、碱和氢氧化物、无机盐及有机酸、元素气体、醇类、醚类、酯类、酮类等。

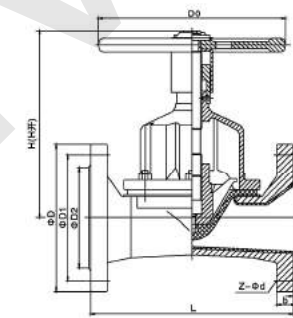
Technical points for new improvement of desulfurized special valves:

1. Precise control: increase the indication mechanism, so that the operator can achieve the precise opening and closing through the indicator bar.
2. Life span: through special type inverted bell valve core and special type of valve cavity, greatly increase the service life and ensure the pressure balance.
3. Seal: a tight seal structure with special type inverted bell valve core with seal flange.
4. Anti-corrosion: improve internal anti-corrosion ability by moulding anti-corrosion layer inside the body of the valve body.
5. Medium: organic acid, alkali and hydroxide, inorganic salts and organic acids, inorganic salts and organic acids, elemental gases, alcohols, aldehydes, ether, ketones, esters, etc.

主要尺寸 Main dimensions

公称口径 DN(mm)	尺寸 Dimensions(mm)					
	L	D1	D	Z-φd	H	D0
25	131	85	115	4-φ14	95	83
32	150	100	140	4-φ18	120	114
40	163	110	150	4-φ18	140	120
50	194	125	165	4-φ18	165	140
65	220	145	185	4-φ18	195	165
80	258	160	200	8-φ18	210	230
100	309	180	220	8-φ18	260	280
125	362	210	250	8-φ18	305	310
150	412	240	285	8-φ22	345	368
200	529	295	340	8-φ22	410	368
250	635	350	395	12-φ22	559	483
300	749	400	445	12-φ22	625	560
350	789	460	505	16-φ22	-	560
400	914	515	565	16-φ26	-	640

G46W、G46J、EG46J 型直通式隔膜阀
Through-way diaphragm valve



性能规范 Performance specification

公称压力 PN(MPa)	试验压力Ps/MPa		工作压力P/MPa		适用温度℃ Suitable temperature	适用介质 Applicable medium
	壳体 Shell	密封 Seal	DN25-150	DN200		
1.0	1.5	1.1	1.0	0.6	≤ 100	G46J:W.非腐蚀性流体 Non-corrosive fluid G46W:J.一般腐蚀性流体 Generally corrosive fluid

主要零件材料 Main parts

零件名称 Part name	阀体 Valve body	阀盖、阀瓣 Cover, disc	阀杆 Valve stem	隔膜 Diaphragm	手轮 Handwheel
G46W-10	灰铸铁 Gray cast iron	灰铸铁 Gray cast iron	铬不锈钢 Chromium stainless steel	乙丙胶EPDM	可锻铸铁 Malleable iron
G46J-10	灰铸铁(衬硬橡胶)				
G46J-10C	铸钢衬丁基橡胶				
G46J-10P	不锈钢衬丁基橡胶				

主要尺寸 Main dimensions

公称口径 DN(mm)	尺寸 Dimensions(mm)					
	L	D1	D	Z-φd	H	D0
25	131	85	115	4-φ14	95	83
32	150	100	140	4-φ18	120	114
40	163	110	150	4-φ18	140	120
50	194	125	165	4-φ18	165	140
65	220	145	185	4-φ18	195	165
80	258	160	200	8-φ18	210	230
100	309	180	220	8-φ18	260	280
125	362	210	250	8-φ18	305	310
150	412	240	285	8-φ22	345	368
200	529	295	340	8-φ22	410	368
250	635	350	395	12-φ22	559	483
300	749	400	445	12-φ22	625	560
350	789	460	505	16-φ22	-	560
400	914	515	565	16-φ26	-	640

EG946W(J)型电动直通式(衬胶)隔膜阀
Electric through-way (rubber-lined) diaphragm valve

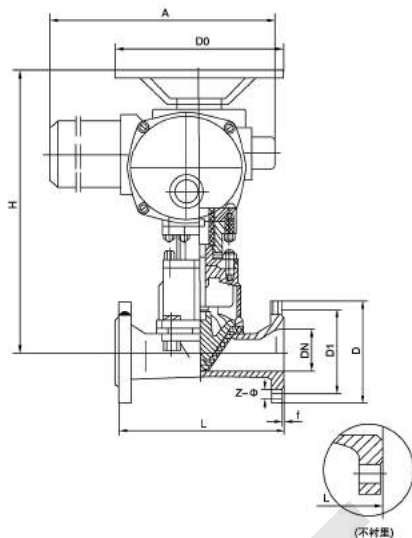
主要性能规范 Main performance specification

适用温度 Suitable temperature	适用介质 Applicable medium
※ ≤85℃	一般腐蚀性介质 General corrosive medium

主要零件材料 Main parts

名称 Name	材料 Material
阀体 Valve body	铸铁、不锈钢、铸钢/衬胶 Cast iron, stainless steel, cast iron/lining
阀盖 Cover	铸铁 Cast iron
阀瓣 Disc	铸铁 Cast iron
手轮 Handwheel	天然胶、丁基胶等 Natural glue, butyl glue etc
隔膜 Diaphragm	碳钢 Carbon steel
阀杆 Valve stem	※组合件 Assembly

※电动装置配天二通ZA型。
Electric device is fitted with a two-pass za-type.



外形尺寸和连接尺寸 Size and connection size(mm)

公称通径 DN(mm)	公称压力 PN(MPa)	工作压力 (MPa)	L	D	D1	Z-φ	f	H	A	D0	重量(kg) weight
20	1.0	1.0	121	105	78	4-14	2	409	531	220	18
25			131	115	85	4-14	2	416	531	220	18.5
32			150	140	100	4-18	2	416	531	-	69
40			163	150	110	4-18	2	423	531	-	70
50			194	165	125	4-18	2	429	531	-	72.5
65			220	184	145	4-18	2	509	552	305	80
80			258	200	160	8-18	2	554	552	305	86
100			309	220	180	8-18	2	556	552	305	96
采用标准 Adopted standard			设计与制造 Design and manufacture: GB12239; 结构长度 Structural length: BS1556; 法兰连接 Flange linkup: BS4504								

EG646J气动直通式衬胶隔膜阀
Pneumatic through-way rubber-lined diaphragm valve

EG6B46W(J)外形尺寸和重量 Size and weight

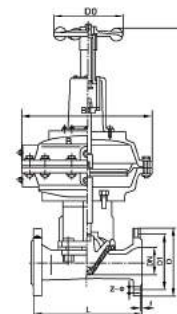
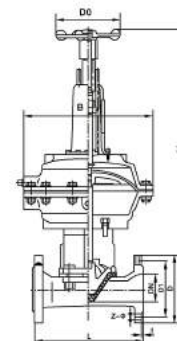
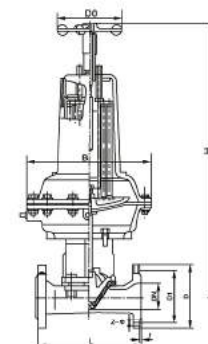
代号△	ES61	ES62	ES63	ES64	ES65	
D0△	120	165	165	280	310	
B△	168	260	318	425	549	
DN	H	Kg	H	Kg	H	Kg
20	390	10.5				
25	425	11				
32			492	21.1		
40			499	678		
50				649	38.2	
65				678	45.2	
80					780	87
100					831	96.5

EG6K46W(J)外形尺寸和重量 Size and weight

代号△	ES68	ES69	ES70	ES71		
D0△	140	140	165	280		
B△	168	260	318	425		
DN	H	Kg	H	Kg		
20		271	8.5			
25		384	9			
32			436	18.1		
40			443	19.1		
50				586	27	
65				605	32	
80					779	61.5
100					818	73

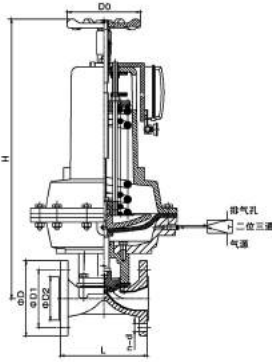
EG646W(J)外形尺寸和重量 Size and weight

代号△	ES53	ES54	ES55	ES56	ES57		
D0△	140	140	165	280			
B△	168	260	318	425			
DN	H	Kg	H	Kg	H	Kg	
20	161	3					
25			383	7.5			
32				436	15		
40				445	14.4		
50				548	17.5		
65					783	31.5	
80					803	42.5	
100						844	70



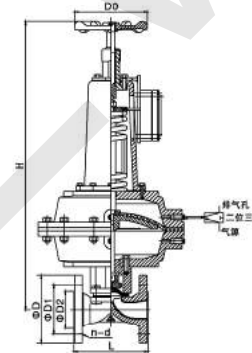
EG6B41J英标气动衬胶、衬氟隔膜阀(常闭式)
Standard pneumatic rubber-lined, fluorine-lined diaphragm valve (normal-close type)

EG6K41J英标气动衬胶、衬氟塑料隔膜阀(常开式)
Standard pneumatic rubber-lined, fluorine-lined plastic diaphragm valve (normal-open type)



EG6K41_{F46}^J-16,10.6型
EG6B41_{F46}^J-16,10.6型

设计与制造按 Design and manufacture:
GB12239或BS5156
结构长度按 Structure length:
GB12221或BS5156
法兰连接尺寸按 Flange connection size:
HG20592或BS4504
试验与检验按 Test and inspection:
GB/T13927或BS5156



设计与制造按 Design and manufacture:
GB12239或BS5156
结构长度按 Structure length:
GB12221或BS5156
法兰连接尺寸按 Flange connection size:
HG20592或BS4504
试验与检验按 Test and inspection:
GB/T13927或BS5156

性能规范 Performance specification

型号 Model	公称压力PN(MPa)	试验压力PS(MPa)		适用介质 Applicable medium	工作温度℃ Working temperature
		壳体试验 Shell test	密封试验 Sealing test		
EG6B41 _{F46} ^W -6	0.6	0.9	0.66	W.非腐蚀性流体	≤100
EG6B41 _{F46} ^J -10	1.0	1.5	1.1	J.一般腐蚀性流体	≤85
EG6B41 _{F46} ^J -16	1.6	2.4	1.76	FS.强酸、碱及各种有机溶剂 (溶解金属材料及元素氟除外)	≤150

性能规范 Performance specification

型号 Model	公称压力PN(MPa)	试验压力PS(MPa)		适用介质 Applicable medium	工作温度℃ Working temperature
		壳体试验 Shell test	密封试验 Sealing test		
EG6K41 _{F46} ^W -6	0.6	0.9	0.66	W.非腐蚀性流体	≤100
EG6K41 _{F46} ^J -10	1.0	1.5	1.1	J.一般腐蚀性流体	≤85
EG6K41 _{F46} ^J -16	1.6	2.4	1.76	FS.强酸、碱及各种有机溶剂 (溶解金属材料及元素氟除外)	≤150

外形连接尺寸及重量 Size and weight of the shape

型号 Model	公称 口径 DN (mm)	尺寸 Dimensions(mm)									气动装置 (mm) Pneumatic device			重量 (Kg) Weight	
		L		f	D1	D	D0	n-d	H	B	代号 ES	耗气量cm ³ Air consumption	气源压力 MPa Air source pressure		气源接头 Air supply connector (r)
		J型	W型												
EG6B41 _{F46} ^W -16	20	121	117	2	75	105	120	4-14	394	168	61	163.87	168	1/8	7.2
	25	131	127	2	85	115	120	4-14	400	168	61	196.65	168	1/8	8.9
	32	150	146	2	100	140	120	4-18	485	168	61	229.4	168	1/8	10.6
	40	163	159	2	110	150	165	4-18	635	260	62	1425.7	260	1/4	19.5
	50	194	190	2	125	165	165	4-18	650	318	63	2284.1	318	1/4	34.9
EG6B41 _{F46} ^W -10	65	220	216	2	145	185	165	4-18	660	318	63	3048	318	1/4	39.9
	80	258	254	2	160	200	165	8-18	816	318	63	3244.7	318	1/4	51.9
	100	309	305	2	180	220	280	8-18	825	425	64	6964.5	425	3/8	93.2
	125	362	356	3	210	250	280	8-18	2101	425	64	7439.7	425	3/8	105.3
EG6B41 _{F46} ^W -6	150	412	406	3	240	285	310	8-22	1300	549	65	14912	549	3/8	184.5
	200	529	521	4	295	340	483	8-22	749	66	49161	749	1/2	407.4	

- 注: 1、气动隔膜阀尚可附装反馈信号、限位器或定位器,以适自控、程控或调节流量的需要。
2、气动阀门的反馈信号采用无触点传感技术。
3、采用薄膜式气缸替代活塞式气缸,排除了活塞环易磨损而导致无法启闭阀门的弊端。
4、当气源发生故障时,可操作手轮使阀门开启。

外形连接尺寸及重量 Size and weight of the shape

型号 Model	公称 口径 DN (mm)	尺寸 Dimensions(mm)									气动装置 (mm) Pneumatic device			重量 (Kg) Weight	
		L		F	D1	D	D0	N-d	H	B	代号 ES	耗气量cm ³ Air consumption	气源压力 MPa Air source pressure		气源接头 Air supply connector (r)
		J型	W型												
EG6K41 _{F46} ^W -16	20	121	117	2	75	105	140	4-14	394	168	61	163.87	0.3	1/8	7.2
	25	131	127	2	85	115	140	4-14	400	168	61	196.65	0.3-0.4	1/8	8.9
	32	150	146	2	100	140	140	4-18	400	168	61	229.4	0.3-0.4	1/8	10.6
	40	163	159	2	110	150	140	4-18	485	260	62	1425.7	0.3-0.4	1/4	19.5
	50	194	190	2	125	165	140	4-18	635	318	63	2284.1	0.3-0.4	1/4	34.9
EG6K41 _{F46} ^W -10	65	220	216	2	145	185	165	4-18	650	318	63	3048	0.3-0.4	1/4	39.9
	80	258	254	2	160	200	165	8-18	660	318	63	3244.7	0.4-0.5	1/4	51.9
	100	309	305	2	180	220	280	8-18	816	425	64	6964.5	0.4-0.5	3/8	93.2
	125	362	356	3	210	250	280	8-18	825	425	64	7439.7	0.4-0.5	3/8	105.3
EG6K41 _{F46} ^W -6	150	412	406	3	240	285	310	8-22	2101	549	65	14912	0.5	3/8	184.5
	200	529	521	4	295	340	483	8-22	1300	749	66	49161	0.6	1/2	407.4

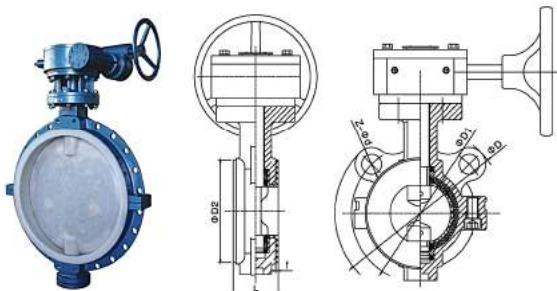
- 注: 1、气动隔膜阀尚可附装反馈信号、限位器或定位器,以适自控、程控或调节流量的需要。
2、气动阀门的反馈信号采用无触点传感技术。
3、采用薄膜式气缸替代活塞式气缸,排除了活塞环易磨损而导致无法启闭阀门的弊端。
4、当气源发生故障时,可操作手轮使阀门开启。

D3741F46J衬氟/衬胶蝶阀 Fluorine-lined/Rubber lining butterfly valve

D371F46, F3-10, 10C, 10P
D371F46, F3-16, 16C, 16P
D371J-10, 10C, 10P

FEP(F46)、PCTFE(F3)衬氟蝶阀适用在-50℃~150℃的各种浓度的王水、硫酸、盐酸、氢氟酸和各种有机酸、强酸、强氧化剂，FEP还适用于各种浓度的强碱有机溶剂以及其他腐蚀性气体、液体介质的管路上使用。

FEP(F46)、PCTFE(F3) fluorine-lined butterfly valves are applicable for -50℃~150℃ nitrohydrochloric acid, sulfuric acid, hydrochloric acid, hydrofluoric acid of various concentrations and various organic acid, strong acid and strong oxidant. FEP is also applicable for the pipeline of strong alkali and organic solvent of various concentrations as well as other corrosive air and liquid media.



主要零件材料 Main parts

零件名称 Part name	材料 Material
上下阀体 Upper and lower body	铸铁、铸钢、不锈钢、内衬 F46, F3 Cast iron, cast steel, stainless steel, liner
阀座 seat	铸钢 Cast steel
带杆盖板 With rod butterfly plate	铸钢、不锈钢、内衬 F46, F3 cast steel, stainless steel, liner
填料 Packing	F4
衬垫 Liner	硅橡胶 Silicone rubber
涡轮手柄 Turbine handle	QT400-15球墨铸铁 Nodular cast iron

衬氟蝶阀标准 Fluorine butterfly valve standard

技术规范 Technical specification	
设计标准 Design criteria	GB12238
结构长度 Length of the structure	GB12221
法兰标准 standard flange	HG20592
检验试验 Inspection test	GB/T13927
驱动方式 Drive way	蜗轮、手动、电动、气动 Worm wheel, manual, electric, pneumatic

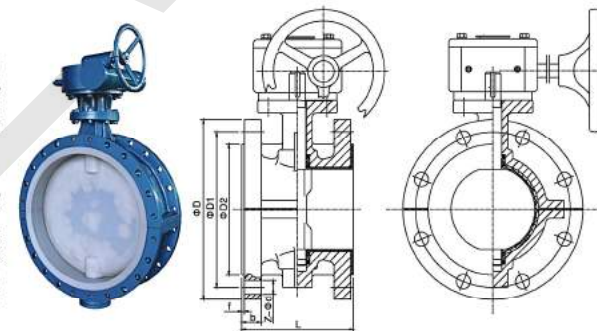
公称口径 DN(mm)	PN1.0(MPa)主要外形尺寸和连接尺寸 Main shapes and sizes(mm)									重量(kg) weight
	L	D	D1	D2	f	Z-φd	H2	H1		
40	33	145	110	85	3	4-φ18	270	80	4	
50	43	165	125	100	3	4-φ18	280	85	5	
65	46	185	145	120	3	4-φ18	290	93	7	
80	46	200	160	140	3	8-φ18	310	100	9	
100	52	220	180	155	3	8-φ18	340	110	13	
125	56	250	210	185	3	8-φ18	355	120	15	
150	56	285	240	210	3.5	8-φ22	380	160	24	
200	60	340	295	265	3.5	8-φ22	430	245	38	
250	68	395	350	320	4	12-φ22	450	260	60	
300	78	445	400	370	4	12-φ22	480	300	70	
350	78	505	460	420	4	16-φ22	600	320	80	
400	102	565	515	475	4.5	16-φ26	630	330	120	
450	114	615	565	525	4.5	20-φ26	655	380	165	
500	127	670	620	580	5	20-φ26	680	390	205	
600	154	780	725	690	5	20-φ30	730	450	250	
700	165	895	840	800	5	24-φ30	790	480	320	
800	190	1015	950	905	5	24-φ33	880	580	395	
900	203	1115	1050	1005	5	28-φ33	930	625	450	
1000	216	1230	1160	1115	5	28-φ36	1000	660	600	
1200	254	1455	1380	1325	6	32-φ39	1300	780	825	

D341F46J衬氟/衬胶蝶阀 Fluorine-lined/Rubber lining butterfly valve

D341F46, F3-10, 10C, 10P
D341F46, F3-16, 16C, 16P
D341J-10, 10C, 10P

FEP(F46)、PCTFE(F3)衬氟蝶阀适用在-50℃~150℃的各种浓度的王水、硫酸、盐酸、氢氟酸和各种有机酸、强酸、强氧化剂，FEP还适用于各种浓度的强碱有机溶剂以及其他腐蚀性气体、液体介质的管路上使用。

FEP(F46)、PCTFE(F3) fluorine-lined butterfly valves are applicable for -50℃~150℃ nitrohydrochloric acid, sulfuric acid, hydrochloric acid, hydrofluoric acid of various concentrations and various organic acid, strong acid and strong oxidant. FEP is also applicable for the pipeline of strong alkali and organic solvent of various concentrations as well as other corrosive air and liquid media.



主要零件材料 Main parts

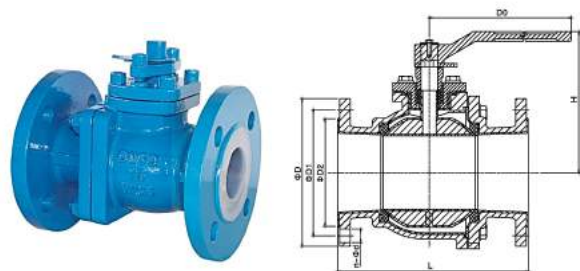
零件名称 Part name	材料 Material
上下阀体 Upper and lower body	铸铁、铸钢、不锈钢、内衬 F46, F3 Cast iron, cast steel, stainless steel, liner
阀座 seat	铸钢 Cast steel
带杆盖板 With rod butterfly plate	铸钢、不锈钢、内衬 F46, F3 cast steel, stainless steel, liner
填料 Packing	F4
衬垫 Liner	硅橡胶 Silicone rubber
涡轮手柄 Turbine handle	QT400-15球墨铸铁 Nodular cast iron

衬氟蝶阀标准 Fluorine butterfly valve standard

技术规范 Technical specification	
设计标准 Design criteria	GB12238
结构长度 Length of the structure	GB12221
法兰标准 standard flange	HG20592
检验试验 Inspection test	GB/T13927
驱动方式 Drive way	蜗轮、手动、电动、气动 Worm wheel, manual, electric, pneumatic

公称口径 DN(mm)	PN1.0(MPa)主要外形尺寸和连接尺寸 Main shapes and sizes(mm)									重量(kg) weight
	L	D	D1	D2	f	b	Z-φd	H2	H1	
50	108	165	125	100	3	20	4-φ18	280	85	12
65	112	185	145	120	3	20	4-φ18	290	93	13
80	114	200	160	140	3	22	8-φ18	310	100	14
100	127	220	180	155	3	22	8-φ18	340	110	16
125	140	250	210	185	3	24	8-φ18	355	120	18
150	140	285	240	210	3.5	24	8-φ22	380	160	38
200	152	340	295	265	3.5	26	8-φ22	430	245	74
250	165	395	350	320	4	28	12-φ22	450	260	105
300	178	445	400	370	4	28	12-φ22	480	300	142
350	190	505	460	420	4	30	16-φ22	600	320	179
400	216	565	515	475	4.5	32	16-φ26	630	330	220
450	222	615	565	525	4.5	32	20-φ26	655	380	268
500	229	670	620	580	5	34	20-φ26	680	390	378
600	267	780	725	690	5	36	20-φ30	730	450	608
700	292	895	840	800	5	40	24-φ30	790	480	1050
800	318	1015	950	905	5	44	24-φ33	880	580	1320
900	330	1115	1050	1005	5	46	28-φ33	930	625	1795
1000	410	1230	1160	1115	6	50	28-φ36	1000	660	1900

Q41F46手动、气动、电动衬氟塑料球阀
Manual, pneumatic, electric fluorine-lined plastic ball valve



设计与制造按 Design and manufacture:
GB12239
结构长度按 Structure length:
GB12221
法兰连接尺寸按 Flange connection size:
HG20592
试验与检验按 Test and inspection:
GB/T13927

性能规范 Performance specification

型号 Model	公称压力PN(MPa) Nominal pressure	试验压力Ps(MPa)		适用介质 Applicable medium	工作温度℃ Working temperature
		壳体试验 Shell test	密封试验 Sealing test		
Q41J/F46-6	1.0	1.5	1.1	除熔融碱金属、三氟乙氧、元素氟外的各种浓度的盐酸、硫酸、氢氟酸、王水、硝酸、有机酸、强碱、过氧化剂等强腐蚀性介质。 The hydrochloric acid, sulfuric acid, nitrohydrochloric acid, nitric acid, organic acid, strong alkali, strong oxidant etc. strong corrosive media of various concentrations, exclusive of molten alkali metal, elemental fluorine and chlorotrifluorine.	-30~+150
Q41J/F46-10	0.6	2.4	1.76		

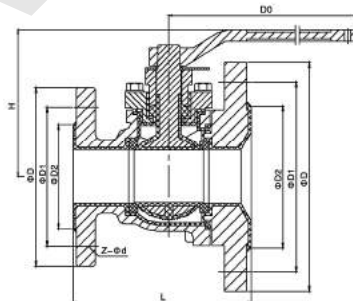
主要零部件材料 Major parts material

零件名称 Part name	阀体 Valve body	球体 Ball	密封圈、填料 Sealing ring, packing	手柄 Handle
材料 Material	HT200、WCB衬氟塑料 Lining fluorine plastic	35衬氟塑料 Lining fluorine plastic	聚四氟乙烯 Teflon	Q235-A

外形尺寸、连接尺寸及重量 Dimensions, connection size and weight

型号 Model	公称口径 DN(mm)	尺寸 Dimensions(mm)										重量(kg) weight
		L	D	D1	D2	F	B	N-d	H	D0	D0	
Q41F46 ¹⁰ ₁₆	15	130	95	65	45	3	14	4-14	80	120	2.2	
	20	140	105	75	55	3	16	4-14	90	120	3	
	25	150	115	85	65	3	16	4-14	100	160	3.8	
	32	165	140	100	78	3	18	4-18	110	160	6.2	
	40	180	150	110	85	3	18	4-18	120	200	9	
	50	200	165	125	100	3	20	4-18	135	250	10.5	
	65	220	185	145	120	3	20	4-18	145	250	13	
	80	250	200	160	135	3	22	8-18	180	300	18	
	100	280	220	180	155	3	22	8-18	195	300	22	
	125	320	250	210	185	3	24	8-18	210	350	31	
	150	360	285	240	210	3	26	8-22	450	200	42	
	200	400	340	295	265	4	26	8-22	490	200	110	
	250	450	385	350	320	4	28	12-22	550	240	200	
	300	502	445	400	368	4	28	12-22	600	280	315	
	350	686	505	460	428	4	30	16-22	675	280	340	
	400	762	565	515	782	4	32	16-25	780	320	350	

FQ41F46球阀
Ball valve



FQ41F₄₆-10

技术要求 Technical requirements

- 设计与制造按GB12237-89的规定。
- 法兰连接尺寸按JB78的规定。
- 试验与检验按GB/T13927的规定。
- 装配: (1) 将各零件的配合部位清理干净, 不可有砂粒等杂质。
(2) 装入零件〈1〉、〈2〉、〈3〉、〈4〉后, 用M10内六角螺钉紧固时需根据配合状况进行调整, 但不得损伤密封部件(四氟密封圈、球体)。装配结束后, 应保证密封, 且球体转动轻松。
- 测压: 将压力平稳升至1.0MPa, 120秒后应无渗漏及其他异常现象。其它性能测试见下表。
- 试压完成后, 阀门不应有衬里脱落、破损等现象。

- Design and manufacture per GB12237 89.
- Flange linkup dimension per JB78.
- Test and inspection per GB/T13927.
- Assembly: (1) Clean up the coordinate places of the parts, no sand etc. impurities is allowed.
(2) After mount the parts (1), (2), (3) and (4), do adjustment according to the coordinate condition when use M10 hexagon screw for tightening, but be careful not to damage the sealing parts (PTFE seal ring, ball). After assembling, make sure of sealing and the ball to rotate flexibly.
- Pressure test: let the pressure stably raising to 1.0MPa and, in 120s, there shall not be leaking or other abnormal conditions and see the table below for other performance tests.
- After the pressure test, there shall not be lining falloff or damage etc. conditions with the valve.

性能规范 Performance specification

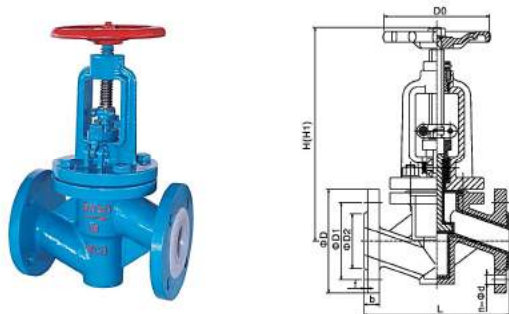
主要性能规范 Main performance specification		
公称压力 Nominal pressure PN	0.6	MPa
强度试验压力 Strength test pressure PS	0.9	
密封试验压力 Sealing test pressure Pm	0.66	
最高工作压力 Highest working pressure Pb	0.6	℃
最高使用温度 Maximum service temperature	≤150	
介质: 酸、碱、盐及各种有机溶剂 (熔融碱金属及元素氟除外) Media: strong acid, alkali, salt and various organic solvents (exclusive of molten alkali metal and elemental fluorine).		

序号 No.	名称 Name	数量 Number	备注 Note
1	阀体 Valve body	1	铸钢 Cast steel+F46
2	端盖 End cover	1	铸钢 Cast steel+F46
3	球阀板 Ball valve plate	1	铸钢 Cast steel+F46
4	四氟圈 PTFE ring	2	PTFE
5	填料函 Stuffing box	1	铸钢 Cast steel+F46
6	压子 Press the son	1	铸钢 Cast steel+F46
7	手柄定位板 Handle positioning plate	1	碳钢 Carbon steel
8	手柄 Handle	1	碳钢 Carbon steel

J41F46J电动、气动、手动衬胶、衬氟塑料截止阀
Manual, pneumatic, electric fluorine-lined rubber-lined, fluorine-lined plastic stop valve

J941J-16.10型
J941Fs-16.10型
J641J-16.10型
J641Fs-16.10型
J41J-16.10型
J41Fs-16.10型

设计与制造按 Design and manufacture: GB12239
结构长度按 Structure length: GB12221
法兰连接尺寸按 Flange connection size: HG20592
试验与检验按 Test and inspection: GB/T13927



性能规范 Performance specification

型号 Model	公称压力 PN(MPa)	试验压力Ps(MPa)		适用介质 Applicable medium	工作温度℃ Working temperature
		壳体试验 Shell test	密封试验 Sealing test		
J41 _{F46} -10	1.0	1.5	1.1	J-一般腐蚀性流体 Generally corrosive fluid	≤85
J41 _{F46} -16	1.6	2.4	1.76	F ₂ 强酸、碱及各种有机溶剂(除熔融碱金属及元素氟除外) Strong acid, alkali and various organic solvents (exclusive of molten alkali metal and elemental fluorine)	≤150

主要零件材料 Main parts

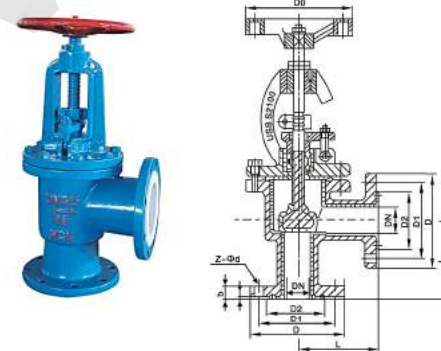
零件名称 Part name	阀体、阀瓣、阀盖 Body, disc, and bonnet	阀杆、阀瓣 Stem and disc	手轮 handwheel
材料 Material	HT200衬橡胶、衬氟塑料 Lined with rubber and fluorine plastic	35衬橡胶、衬氟塑料 Lined with rubber and fluorine plastic	HT200

外形尺寸、连接尺寸及重量 Dimensions, connection size and weight

型号 Model	公称口径 DN(mm)	尺寸 Dimensions(mm)						重量(kg) weight
		L	D1	D	n-d	H	H1	
J41J/46-10	15	130	65	95	4-14			
	20	150	75	105	4-14			
	25	160	85	115	4-14	264	120	10
	32	180	100	140	4-18	272	120	12
	40	200	110	150	4-18	300	140	15
	50	230	125	165	4-18	321	140	18
	65	290	145	185	4-18	366	160	30
	80	310	160	200	8-18	400	200	40
	100	320	180	220	8-18	476	280	50
	125	400	210	250	8-18	512	280	64
	150	480	240	285	8-22	575	320	85
	200	600	295	340	8-22	620	360	155
	250	622	350	395	12-22	760	400	243
	300	698	400	445	12-22	880		
	350	787	460	505	16-22			
	400	914	515	565	16-22			

J44F46法兰连接手动截止阀(角式)
Linked manual stop valve (angular type)

公称口径: DN15-300(mm)
主要零部件材料见P13 See P13 for the materials of main parts
基本型号Basic model: 手动、电动 manual, electric
法兰连接截止阀(角式) flange linkup stop valve (angular type)
设计与制造符合中国国家标准
Design and manufacture conforms to the national standard of China
基本结构型式Basic structure type: 角式 :angular
公称压力: PN1.0-2.5(MPa)



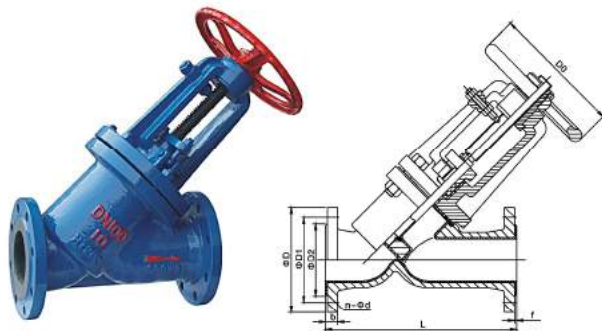
遵循规范 Follow the specifications	STANDARD
设计与制造 Design and manufacture	GB12223/GB12235
结构长度 Length of the structure	GB12221/JB966长短系列 length of the series)
法兰尺寸 Flange dimensions	HG20592
压力试验 Pressure test	GB/T13927
标志 Mark	GB/T12220
供货 Supply	GB/T12252

主要零件材料 Main parts

公称口径DN DN(mm)	NPS(inch)	标准值 Standard values							参考值 Reference			
		L	D	D1	D2	f	B	Z-ld	D0	H1	H2	WT(Kg)
PN1.0(MPa)												
15	1/2	65/90	95	65	45	2	14	4-14	100	240	265	7
20	3/4	75/95	105	75	55	2	16	4-14	100	245	270	7.5
25	1	80/100	115	85	65	2	16	4-14	120	250	275	8
32	1 1/4	95/105	140	100	78	2	18	4-18	120	260	290	12
40	1 1/2	100/115	150	110	85	3	18	4-18	140	290	325	14
50	2	115/125	165	125	100	3	20	4-18	140	300	335	19
65	2 1/2	145	185	145	120	3	20	4-18	160	355	400	27
80	3	155	200	160	135		22	4-18	160	400	450	42
100	4	175	230	180	155	3	22	8-18	180	455	495	50
125	5	200	250	210	185	3	24	8-18	180	530	560	64
150	6	240/225	285	240	210		24	8-f22	240	605	650	85
200	8	275	340	295	265	3	26	8-f22	240	650	770	105
250	10	325	395	350	320	3	28	12-f22	280	680	800	135
300	12	375	445	400	368	4	28	12-f22	280	710	835	155
PN1.6(MPa)												
15	1/2	65/90	95	65	45	2	14	4-14	100	240	265	7
20	3/4	75/95	105	75	55	2	16	4-14	100	245	270	7.5
25	1	80/100	115	85	65	2	16	4-14	120	250	275	8
32	1 1/4	95/105	140	100	78	2	18	4-18	140	260	290	12
40	1 1/2	100/115	150	110	85	3	18	4-18	140	290	325	14
50	2	115/125	165	125	100	3	20	4-18	160	300	335	19
65	2 1/2	145	185	145	120	3	20	4-18	180	355	400	27
80	3	155	200	160	135	3	22	4-18	240	400	450	42
100	4	175	220	180	155	3	24	8-18	240	455	495	50
125	5	200	250	210	185	3	26	8-18	280	530	560	64
150	6	240/225	285	240	210	3	26	8-f22	320	605	650	85
200	8	275	340	295	265	3	28	8-f22	360	650	770	155
PN2.5(MPa)												
15	1/2	65/90	95	65	45	2	14	4-14	120	245	270	7.5
20	3/4	75/95	105	75	55	2	16	4-14	120	250	275	8.8
25	1	80/100	115	85	65	2	16	4-14	140	260	290	11
32	1 1/4	95/105	140	100	78	2	18	4-18	140	290	325	13
40	1 1/2	100/115	150	110	85	3	18	4-18	160	300	335	18
50	2	115/125	165	125	100	3	20	4-18	180	355	400	31

注:表中L值符合GB12221长系列,其中分子表示按JB966的L值
Note: The value L in the table conforms to GB12221 long series, the numerator of which means the value L per JB966.

J45J 直流式衬胶、衬氟塑料截止阀
Rubber-lined, fluorine-lined plastic stop valve



设计与制造按
Design and manufacture: GB12239
结构长度按
Structure length: GB12221
法兰连接尺寸按
Flange connection size: HG20592
试验与检验按
Test and inspection: GB/T13927

性能规范 Performance specification

型号 Model	公称压力 PN(MPa)	试验压力 Pe(MPa)		适用介质 Applicable medium	工作温度 °C Working temperature
		壳体试验 Shell test	密封试验 Sealing test		
J45 _{F46} -6	0.6	0.9	0.66	W.非腐蚀性流体	≤100
				J.一般腐蚀性流体	≤85
J45 _{F46} -10	1.0	1.1	1.5	FS.强酸、碱及各种有机溶剂 (溶解碱金属及元素氟除外)	≤150

主要零件材料 Main parts

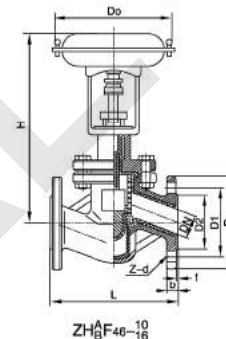
零件名称 Part name	阀体、阀瓣 Body, disc	阀盖 Bonnet	阀杆、阀瓣 Stem, disc	手轮廓 Hand contour
材料 Material	HT200衬胶、衬氟塑料 Lined with rubber and fluorine plastic	HT200衬胶、衬氟塑料 Lined with rubber and fluorine plastic	35衬胶、衬氟塑料 Lined with rubber and fluorine plastic	HT200

主要连接尺寸及重量 Main connection size and weight

型号 Model	公称口径 DN(mm)	尺寸 Dimensions(mm)								重量(kg) weight
		L	D	D1	D2	H1	b	D0	N-d	
J45 _{F46} - ⁶ ₁₀	25	160	105	75	60	205	16	120	4-14	4.5
	32	180	140	100	70	-	16	160	4-18	13
	40	200	150	110	80	250	16	160	4-18	14
	50	230	165	125	90	290	16	160	4-18	16.5
	65	290	185	145	110	310	16	180	4-18	-
	80	310	200	160	125	358	18	200	8-18	36
	100	350	220	180	145	428	18	200	8-18	50
	125	400	250	210	175	510	20	280	8-18	68
	150	480	285	240	200	550	20	280	8-22	90
	200	600	340	295	225	635	22	400	8-22	146
250	730	395	350	312	-	24	-	12-22	-	

ZJHPF46 衬氟调节阀
Fluorine-lined adjusting valve

ZH_F46-¹⁰₁₆ 型衬氟气动薄膜单座调节阀
Fluorine pneumatic film single seat regulating valve



概述 Overview

ZH_F型精密气动单座衬氟调节阀由气动多弹簧薄膜机构和底流阻、直通单座调节机构组成。在与流体接触的内壁、阀芯均包覆一层聚四氟乙烯(F46)、可溶性聚四氟乙烯(PFA)等防腐材料完全能达到切断腐蚀性介质与阀体外壳的接触。该阀门能耐酸、碱、盐等腐蚀性介质和泄漏量要求严格的工况环境，是理想的化工管路系统中过程自动控制产品。

Model ZHF precise pneumatic single-seat fluorine-lined adjusting valve is comprised of a pneumatic multi-spring membrane mechanism and a bottom flow resisting, through-way single-seat adjusting mechanism. Both internal wall and valve core contacting with the fluid are wrapped with a layer of FEP (F46), soluble PTFE (PFA) etc. anti-corrosive materials which can completely cut off the contacting between the corrosive medium and the body shell. This valve can resist acid, alkali, salt etc. corrosive media and is suitable for the working condition requiring a strict leakage and an ideal process automatic control product in the chemical pipeline system.

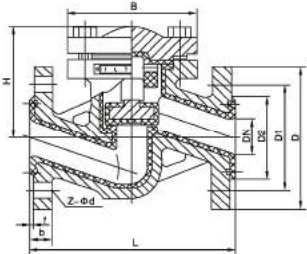
主要零件材料 Main parts

零件名称 Part name	精铸球墨铸铁 Cast ductile iron	碳钢 Carbon steel	不锈钢 Stainless steel			
	QT	C	P	R	PL	RL
阀体、阀盖 Valve body, bonnet	CT400	WCB	CF8	CF6M	CF3	CF3M
内衬材料 Lining material	FEP(F46)、PTFE(F4)、PFA(可溶性聚四氟乙烯)、PO(聚烯烃)、PE(超高分子量聚乙烯)					
阀座 Seat	WCB/FEP哈氏合金蒙乃尔					
阀芯 Valve core	WCB/FEP哈氏合金蒙乃尔					
填料 Packing	PTFE(F4)聚四氟乙烯					
螺栓 Bolt	35	35	1Cr17Ni2	1Cr17Ni2	1Cr17Ni2	1Cr17Ni2
螺母 Nut	45	45	0Cr18Ni9	0Cr18Ni9	0Cr18Ni9	0Cr18Ni9

执行机构主要技术参数 Main technical parameters of the actuator

型号 Model	ZH _F ^A -22	ZH _F ^A -23	ZH _F ^A -34	ZH _F ^A -45
膜片有效面积 cm ² Diaphragm effective area	350	350	560	900
额定行程 mm Rated stroke	16	25	40	60
弹簧范围 KPa Spring range	20-100 40-200 8-240 20-60 60-100			

H41JF46 升降式衬胶、衬氟止回阀
Lifting-type rubber-lined, fluorine-lined check valve



标准 Standard

设计与制造: GB12235
结构长度: GB12221
法兰连接尺寸: GB4216
Design and manufacture: GB12235
Structure length: GB12221
Flange connection size: GB4216

测试 Test

衬里层: 电火花检测
Lining layer: electric spark detection
试验与检验按GB/T13927标准
Test and inspection per GB/T13927
公称压力 Nominal pressure: PN(MPa)
阀体 Valve body: PN x 1.5
密封 Seal: PN x 1.1

材料 Material

阀体: 铸铁、球墨铸铁
衬里: 橡胶
阀盖: 铸铁、球墨铸铁
阀瓣: 碳钢完全包覆橡胶

Valve body: cast iron, ductile cast iron
Lining: rubber
Bonnet: cast iron, ductile cast iron
Disk: carbon steel wrapped with rubber completely

用途 User

本阀专用于控制一般腐蚀性介质, 阀体内腔表面覆有可供选择的多种橡胶, 具有强度高、耐腐蚀性好的特点; 适用于不同工作温度和流体管路, 防止各类管路或设备上的介质逆流的单向启闭。

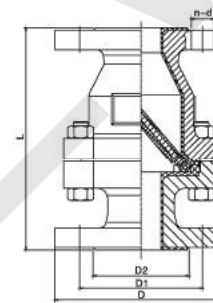
适用温度: ≤85℃、≤100℃、≤120℃ (按照衬里材料)

This valve is used specially to control generally corrosive media and the surface of the body internal cavity is covered with multiple selectable rubbers, featuring a high strength, a good performance of corrosion resisting; suitable for different working temperatures and fluid pipelines; of one-way open-close which can prevent the medium from back flowing on various pipelines or equipments.
Applicable temperature: ≤85℃、≤100℃、≤120℃ (according to the lining materials)

外形尺寸、连接尺寸及重量 Dimensions, connection size and weight

公称直径 Nominal diameter (DN)	公称压力 Nominal pressure (MPa)	工作压力 Work pressure (MPa)	L (mm)	D (mm)	D1 (mm)	n-φd (mm)
15	1.6	1.6	130	95	65	4-13.5
20			150	105	75	4-13.5
25			160	115	85	4-13.5
32			180	140	100	4-17.5
40			200	150	110	4-17.5
50			230	165	125	4-17.5
65			290	185	145	4-17.5
85			310	200	160	6/2-17.5
100			350	220	180	6/2-17.5
125			400	250	210	6/2-17.5
150	1.0	1.0	480	285	240	6/2-22
200			600	340	295	6/2-22
250			730	395	350	10/2-22
300			850	445	400	10/2-22

H44F46J旋启式衬胶止回阀
Rubber-lined check valve



设计与制造按
Design and manufacture: GB12239
结构长度按
Structure length: GB12221
法兰连接尺寸按
Flange connection size: HG20592
试验与检验按
Test and inspection: GB/T13927

主要性能规范 Main performance specification

型号 Model	公称压力 PN(MPa)	试验压力Ps(MPa)		适用介质 Applicable medium	工作温度℃ Working temperature
		壳体试验 Shell test	密封试验 Sealing test		
H44J/F46-6	0.6	0.9	0.66	一般腐蚀性流体 Generally corrosive fluid	≤85
H44J/F46-10	1.0	1.5	1.1		

主要零件材料 Main parts

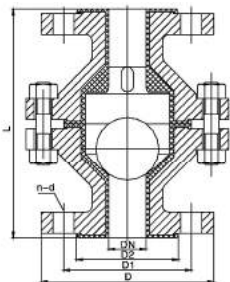
零件名称 Part name	上阀体、下阀体 Upper body	阀瓣 Disc
材料 Material	HT200衬橡胶 Lining rubber	天然橡胶 Natural rubber

主要外形尺寸和连接尺寸 Main shapes and sizes(mm)

型号 Model	工作压力(MPa) Working pressure	公称直径(DN) Nominal diameter	L	D	D1	D2	Z-φd	B	重量(Kg) Weight	
H44/F46J-6/10	1.0	20	160	105	75	59	4-14	128	-	
		25	160	115	85	68	4-14	128	-	
		32	180	140	100	78	4-18	150	4.5	
		40	200	150	110	88	4-18	160	7	
		50	230	165	125	102	4-18	178	8	
		65	290	185	145	122	4-18	205	10	
		80	310	200	160	133	8-18	230	18	
		100	350	220	180	158	8-18	255	24	
		125	400	250	210	184	8-18	305	30.5	
		150	480	285	240	212	8-23	345	47.5	
	0.6	200	500	340	295	268	8-23	415	63.5	
		250	550	395	350	320	12-23	495	96.5	
		300	698	445	400	368	12-23	540	144	
		350	787	505	460	430	16-23	620	224	
		0.4	400	914	565	515	482	16-25	680	254
			450	978	615	565	532	20-25	-	300
			500	978	670	620	585	22-25	-	392

采用标准: 设计制造Design and manufacture of: Q/JBGN03; 结构长度Length of the structure: Q/JBGN03; 法兰连接Flange connection: GB/T17241.6(PN1.0MPa)

H40F46J浮球式衬胶、衬氟塑料止回阀
Floating-ball type rubber-lined, fluorine-lined plastic check valve



设计与制造按
Design and manufacture: GB12239
结构长度按
Structure length: GB12221
法兰连接尺寸按
Flange connection size: HG20592
试验与检验按
Test and inspection: GB/T13927

主要性能规范 Main performance specification

型号 Model	公称压力 PN(MPa)	试验压力Ps(MPa)		适用介质 Applicable medium	工作温度℃ Working temperature
		壳体试验 Shell test	密封试验 Sealing test		
H40J-6	0.6	0.9	0.66	J-一般腐蚀性流体 Generally corrosive fluid	≤85
H40J/-10	1.0	1.5	1.1	Fa-强酸、碱及各种有机溶剂(除熔融金属及元素氟除外) Strong acids, alkalis and various organic solvents (exclusive of molten metal and elemental fluorine)	≤150

主要零件材料 Main parts

零件名称 Part name	上阀体、下阀体 Upper valve body, lower body	球芯 Ball core
材料 Material	HT200衬橡胶、衬氟塑料 Lined with rubber and fluorine plastic	氟塑料 Fluorine plastic

外形尺寸、连接尺寸及重量 Dimensions, connection size and weight

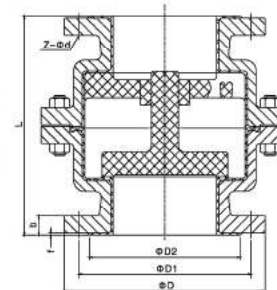
型号 Model	公称通径 DN(mm)	尺寸 Dimensions(mm)					重量(Kg) Weight
		L	D1	D	n-d	B	
H40J-6/10	15	150	65	95	4-14	95	4
	20	150	75	105	4-14	100	4.5
	25	160	85	115	4-14	125	5
	40	200	110	150	4-18	145	7
	50	230	125	165	4-18	165	12
	65	290	145	185	8-18	205	16
	80	310	160	200	8-18	240	19
	100	350	180	220	8-18	270	-
	125	400	210	250	8-18	286	-
	150	480	240	285	8-22	380	-
200	500	295	340	8-22	440	-	

H42F46衬氟止回阀
Fluorine-lined check valve

H42F46、F3-6、6C、6P
H42F46、F3-10、10C、10P
H42F46、F3-25、25C、25P
ANSI 150Lb 300Lb

FEP(F46)、PCTFE(F3)衬氟蝶阀适用于-50℃~150℃的各种浓度的王水、硫酸、盐酸、氢氟酸和各种有机酸、强酸、强氧化剂，FEP还适用于各种浓度的强碱有机溶剂以及其他腐蚀性气体、液体介质的管路上使用。

FEP(F46)、PCTFE(F3) fluorine-lined butterfly valves are applicable for -50℃~150℃ nitrohydrochloric acid, sulfuric acid, hydrochloric acid, hydrofluoric acid of various concentrations and various organic acid, strong acid and strong oxidant. FEP is also applicable for the pipeline of strong alkali and organic solvent of various concentrations as well as other corrosive air and liquid media.



主要零件材料 Main parts

零件名称 Part name	材料 Material
上下阀体 Upper and lower body	铸铁、铸钢、不锈钢、内衬 F46, F3 Cast iron, cast steel, stainless steel, liner
阀瓣 Disc	铸钢、不锈钢、内衬 F46, F3 Cast steel, stainless steel, liner
垫圈 Gasket	F4

衬氟蝶阀标准 Fluorine butterfly valve standard

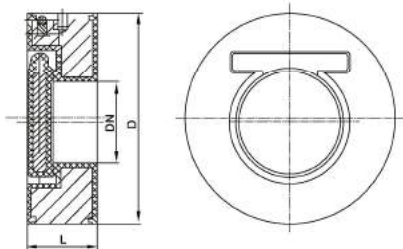
	材料 Material
设计标准 Design criteria	GB12238
结构长度 Length of the structure	GB12221
法兰标准 standard flange	HG20592 GB9113.1-26
检验试验 Inspection test	GB/T13927

公称通径 DN	PN1.0(MPa)主要外形尺寸和连接尺寸(mm)									重量(Kg) Weight
	L	D	D1	D2	f	b	Z-φd	D0	H	
15	80	95	65	45	3	14	4-φ14	100	40	6
20	90	105	75	50	3	14	4-φ14	115	45	7
25	100	115	85	60	3	16	4-φ14	130	50	8
32	110	140	100	68	3	18	4-φ18	145	55	11
40	125	150	110	80	3	18	4-φ18	160	62.5	15
50	140	165	125	100	3	20	4-φ18	170	70	17
65	160	185	145	115	3.5	20	4-φ18	205	80	26
80	185	200	160	130	3.5	22	8-φ18	235	92.5	37
100	210	220	180	150	4	24	8-φ18	285	105	46
125	250	250	210	180	4	26	8-φ18	330	125	65
150	300	285	240	210	5	28	8-φ22	360	150	92
200	380	340	295	260	5	32	8-φ22	425	190	155
250	420	395	350	319	5	34	12-φ22	500	210	240
300	575	445	400	375	5	36	12-φ22	620	230	320

H74F46J衬氟单瓣旋启式止回阀
Fluorine-lined single-disk swing-type check valve

衬氟止回阀尺寸表
Liner check valve dimension table

设计标准 Design criteria:
HG/T3704 GB/T12235 GB/T12236;
结构长度 Length of the structure:
GB/T12221 ASME B16.10 HG/T3704;
法兰标准 standard flange:
JB/T79 GB/T9113 HG/T20592 ASME B16.5/47;
连接方式: 对夹式、法兰式;
公称压力: PN0.6~1.0MPa 150Lb;
检验试验 Inspection test:
GB/T13927 API598;
驱动方式 Drive way:
手动/电动/气动 Manual, electric, pneumatic



H74F46J-10/16衬氟单瓣旋启式止回阀
Liner swing check valve

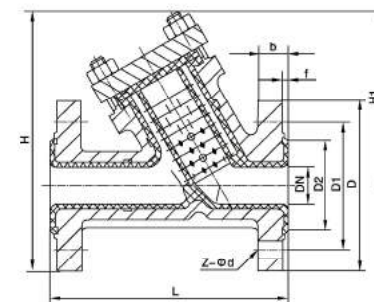
H74尺寸 Size

公称口径 Nominal diameter		标准值 Standard values								
In(inch)	DN(mm)	PN0.6(MPa)			PN1.0(MPa)			PN1.6(MPa)		
		L	D	W(Kg)	L	D	W(Kg)	L	D	W(Kg)
2	50	43	109	2.2	43	100	2.5	43	100	3.66
2 1/2	65	46	129	2.6	46	120	3.0	46	120	5.58
3	80	46	133	5.0	46	135	5.7	46	135	6.6
4	100	52	162	9.6	52	155	10.4	52	155	9.02
5	125	56	175	11.2	56	185	13.5	56	185	13.5
6	150	56	212	13	56	210	15.5	56	210	17.44
8	200	60	261	15.2	60	265	18.7	60	265	28.88
10	250	68	320	22.5	68	320	28.5	68	320	46.84
12	300	78	362	30	78	368	35	78	375	67.6
14	350	78	435	43.2	78	428	48.2	78	435	99.68
16	400	102	462	55.2	102	482	63.2	102	485	120.2
18	450	114	518	74.8	114	532	83.2	114	545	140.8
20	500	127	614	89.1	127	585	98.1	127	608	170.6

GJ45F46 Y型衬氟过滤器
Fluorine-lined filter

主要零部件材料 Major parts material

序号 NO	零件名称 Name	铸钢 Cast steel	不锈钢 Stainless steel			超低碳不锈钢 Ultra low carbon stainless steel	
		C	P	R	P _L	R _L	
1	阀体、阀盖、闸板 Body, cover, gate	WCB	CF8	CF8M	CF3		
2	过滤网 Filter	F4	F4	F4	F4		

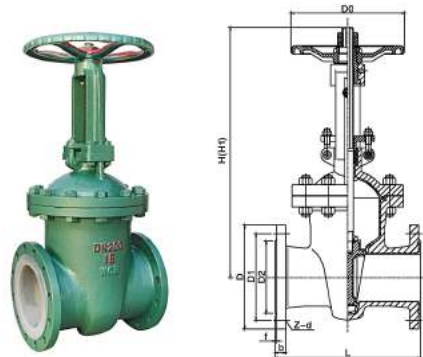


Y型衬氟过滤器 Type Y liner filter

Y型过滤器 Y type filter

公称口径 Nominal diameter		标准值 Standard values							参考值 Reference		
DN(mm)	NPS (inch)	L	D	D1	D2	f	b	Z-φd	H1	H2	W(Kg)
		PN1.0~1.6(MPa)									
20	3/4	150	105	75	58	2	18	4-Φ14	70	122	3
25	1	160	115	85	68	2	18	4-Φ14	78	135	8.84
32	1 1/4	180	140	100	78	2	18	4-Φ18	86	154	6
40	1 1/2	200	150	110	88	2	18	4-Φ18	92	164	7
50	2	230	165	125	102	2	18	4-Φ18	102	182	17.06
65	2 1/2	290	185	145	122	2	18	8-Φ18	115	205	21.9
80	3	310	200	160	138	2	20	8-Φ18	135	232	28.52
100	4	350	220	180	158	2	20	8-Φ18	156	263	40.36
125	5	400	250	210	188	2	22	8-Φ28	248	370	56.8
150	6	480	285	240	212	2	22	8-Φ22	285	425	112.9
200	8	495	340	295	268	2	24	12-Φ22	362	530	100

Z41F46J衬氟闸阀
Fluorine-lined gate valve



Z41F46、F3-10、10C、10P
Z41F46、F3-16、16C、16P
Z41F46、F3-25、25C、25P
ANSI 150Lb 300Lb

FEP(F46)、PCTFE(F3)衬氟蝶阀适用在-50℃~150℃的各种浓度的王水、硫酸、盐酸、氢氟酸和各种有机酸、强酸、强氧化剂，FEP还适用于各种浓度的强碱有机溶剂以及其他腐蚀性气体、液体介质的管路上使用。

FEP(F46)、PCTFE(F3) fluorine-lined butterfly valves are applicable for -50℃~150℃ nitrohydrochloric acid, sulfuric acid, hydrochloric acid, hydrofluoric acid of various concentrations and various organic acid, strong acid and strong oxidant. FEP is also applicable for the pipeline of strong alkali and organic solvent of various concentrations as well as other corrosive air and liquid media.

主要零件材料 Main parts

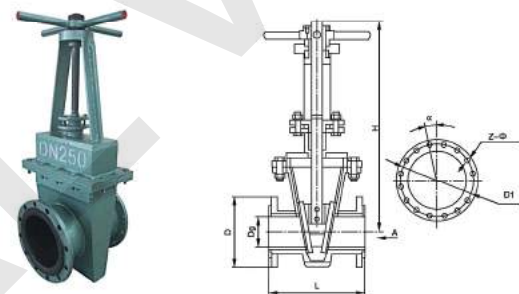
零件名称 Part name	材料 Material
阀体、阀盖 Body and bonnet	铸铁、铸铜、不锈钢、内衬 F46、F3 Cast iron, cast steel, stainless steel, liner
阀瓣 Disc	优碳钢、不锈钢、内衬 F46、F3 Excellent carbon steel, stainless steel, liner
阀杆 Stem	不锈钢 Stainless steel
填料 Packing	F4
阀杆螺母 Stem nut	ZHMn58-2-2
手轮 Handwheel	HT200

衬氟蝶阀标准 Fluorine butterfly valve standard

技术规范 Technical specification	
设计标准 Design criteria	GB12238
结构长度 Length of the structure	GB12221
法兰标准 standard flange	HG20592 GB9113.1-26
检验试验 Inspection test	GB/T13927
驱动方式 Drive way	手动、电动、气动 Manual, electric, pneumatic

公称直径 (mm) Nominal diameter	PN1.0(MPa)主要外形尺寸和连接尺寸(mm)										重量(Kg) Weight
	L	D	D1	D2	f	b	Z-φd	D0	H1	H2	
25	160	115	85	60	3	16	4-φ14	120	135	160	9
32	180	140	100	70	3	18	4-φ18	140	160	190	13
40	240	150	110	80	3	18	4-φ18	160	170	210	25
50	250	165	125	100	3	20	4-φ18	180	360	410	32
65	265	185	145	115	3.5	20	4-φ18	200	380	445	38
80	280	200	160	130	3.5	22	8-φ18	240	440	520	50
100	300	220	180	150	4	24	8-φ18	280	500	600	68
125	325	250	210	180	4	26	8-φ18	320	615	740	125
150	350	285	240	210	4	28	8-φ22	360	680	830	170
200	400	340	295	260	5	32	12-φ22	380	820	1020	210
250	450	405	355	318	5	34	12-φ26	400	980	1230	260
300	500	460	410	375	5	36	12-φ26	420	1150	1450	480
350	550	520	470	435	5	38	16-φ26	450	1285	1635	620
400	600	580	525	485	5	40	16-φ30	450	1455	1855	805
450	650	640	585	545	5	44	20-φ30	500	1545	1990	880
500	700	705	650	608	5	46	20-φ33	500	1735	2235	920

衬胶楔型闸阀
Rubber-lined Gate valve



衬胶楔型闸阀主要结构参数 (Z-42J-1.0C)
Main structural parameters for the rubber wedge gate valve

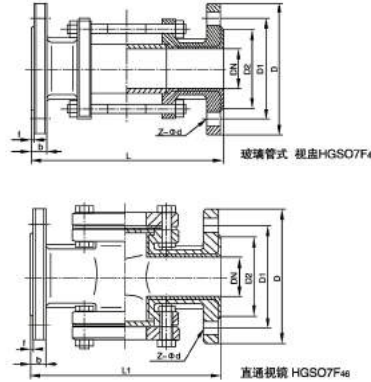
公称直径 (mm) Nominal diameter	Dg	L	H	D1	D	Z-φ	α	重量(Kg) Weight
DN50	48	250	420	125	160	4-18	45°	32
DN65	63	265	460	145	180	4-18	45°	41
DN80	78	280	500	160	195	4-18	45°	48
DN100	96	300	535	180	215	8-18	22.5°	65
DN125	125	325	590	210	245	8-18	22.5°	92
DN150	145	350	755	240	280	8-23	22.5°	105
DN200	195	400	900	295	335	8-23	22.5°	185
DN250	245	450	1000	350	390	12-23	15°	273
DN300	296	500	1160	400	440	12-23	15°	281
DN350	345	550	1310	460	500	16-26	11.25°	415
DN400	395	600	1460	515	565	16-25	11.25°	567
DN450	445	650	1660	565	615	20-25	9°	598
DN500	495	700	1730	620	670	20-25	9°	758
DN600	595	800	2140	725	780	20-30	9°	1154
DN700	695	900	2450	840	895	24-30	7.5°	1602
DN800	795	1000	2600	950	1010	24-34	7.5°	1782
DN900	895	1100	2760	1050	1115	28-34	6.4°	3131
DN1000	995	1200	3160	1160	1230	28-36	6.4°	3610

衬胶楔型闸阀主要结构参数 (Z-42J-2.5C)
Main structural parameters for the rubber wedge gate valve

公称直径 (mm) Nominal diameter	Dg	L	H	D1	D	Z-φ	α	重量(Kg) Weight
DN100	96	300	535	190	230	8-23	22.5°	88
DN150	145	350	755	250	300	8-23	22.5°	108
DN200	195	400	900	310	360	12-25	15°	213
DN250	245	450	1000	370	425	12-30	15°	313
DN300	296	500	1160	430	485	16-30	11.25°	420
DN350	345	550	1310	490	550	16-34	11.25°	560
DN400	395	600	1460	550	610	16-34	11.25°	679
DN450	445	650	1660	600	660	20-34	9°	780
DN500	495	700	1730	660	730	20-41	9°	920
DN600	595	800	2140	770	840	20-41	9°	1760
DN700	695	900	2450	875	955	24-48	7.5°	1960

HGSO7衬氟视镜
Fluorine-lined sight glass

HGSO7衬氟视镜
Fluorine-lined sight glass



技术标准 Technical standards	
法兰连接尺寸 Flange connection size	GB/T9113.1-2000 ASME 16.5a
公称压力 Nominal pressure	0.6、1.0、1.6、2.5MPa Class 150
适用压力 Apply pressure	PN≤2.5MPa, 工作压力 working pressure≤1.0MPa, 工作温度视衬里材料 the working temperature depends upon the lining material

基本型号 Basic model	
HGSO7F4-126管式	HGSO7F46-126管式
HGSO7F4-101直通	HGSO7F46-101直通
HGSO7F4-115三通	HGSO7F46-115三通

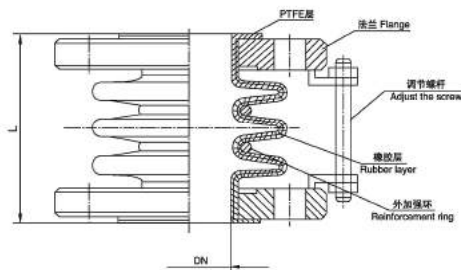
主要零部件材料 Major parts material

零件名称 Part name	碳钢 Cast steel		不锈钢 Stainless steel		
	C	P	R	PL	RL
壳体 Shell	WCB	CF8	CF8M	CF3	CF3M
玻璃 Glass	硼硅玻璃、钢化玻璃、石英玻璃 Borosilicate glass, tempered glass, quartz glass				
内衬材料 Lining material	FEP(F46)、PTFE(F4)、PFA(可溶性聚四氟乙烯)				
垫片 Gasket	PTFE(聚四氟乙烯)				
螺栓 Bolt	35	1Cr17Ni2	1Cr17Ni2	1Cr18Ni9	1Cr18Ni9
螺母 Nut	45	0Cr18Ni9	0Cr18Ni9	0Cr18Ni9	0Cr18Ni9

主要连接尺寸及重量 Main connection size and weight

公称通径 Nominal diameter		主要尺寸 Main dimensions														
		L	L1	D	D1	D2	f	B	Z-d	D	D1	D2	f	B	Z-d	H
DN (mm)	NPS (inch)	PN0.6MPa							PN1.0MPa							
15	1/2	200	200	80	55	40	3	14	4-12	95	65	45	3	15	4-14	160
20	3/4	200	200	90	65	50	3	16	4-12	105	75	55	3	17	4-14	160
25	1	250	230	100	75	60	3	16	4-12	115	85	65	3	17	4-14	200
32	1 1/4	250	230	120	90	70	3	17	4-14	140	100	75	3	19	4-18	200
40	1 1/2	250	230	130	100	80	3	17	4-14	150	110	85	3	19	4-18	200
50	2	250	230	140	110	90	3	17	4-14	165	125	100	3	21	4-18	200
65	2 1/2	250	240	160	130	110	3.5	17	4-14	185	145	120	3.5	23	8-18	220
80	3	250	240	190	150	125	3.5	19	4-18	200	160	135	3.5	25	8-18	220
100	4	250	240	210	170	145	3.5	20	4-18	220	190	155	3.5	25	8-22	220
125	5	300	250	240	200	175	4	20	8-18	250	220	185	4	28	8-26	240
150	6	300	300	265	225	200	4	22	8-18	285	250	210	4	30	8-26	300
200	8	300	350	320	280	255	4.5	24	8-18	340	310	275	4.5	32	12-26	300
		PN1.6MPa							Class 150							
15	1/2	200	200	95	65	45	3	15	4-14	89	60.5	35	3	15	4-15	160
20	3/4	200	200	105	75	55	3	17	4-14	98	70	43	3	15	4-15	160
25	1	250	230	115	85	65	3	17	4-14	108	79.5	51	3	15	4-15	200
32	1 1/4	250	230	140	100	75	3	19	4-18	117	89	64	3	15	4-15	200
40	1 1/2	250	230	150	110	85	3	19	4-18	127	98.5	73	3	16	4-15	200
50	2	250	230	165	125	100	3	21	4-18	152	120.5	92	3	17	4-19	200
65	2 1/2	250	240	185	145	120	3.5	21	4-18	178	139.5	105	3.5	19	4-19	220
80	3	250	240	200	160	135	3.5	22	8-18	190	152.5	127	3.5	20	4-19	220
100	4	250	240	220	180	155	3.5	23	8-18	229	190.5	157	3.5	24	8-19	220
125	5	300	250	250	210	185	4	24	8-18	254	216	186	4	25	8-22	240
150	6	300	300	285	240	210	4	26	8-23	279	241.5	216	4	27	8-22	300
200	8	300	300	340	295	265	4.5	26	12-23	343	298.5	270	4.5	30	8-22	300

BCQ衬氟补偿器
Fluorine-lined compensator

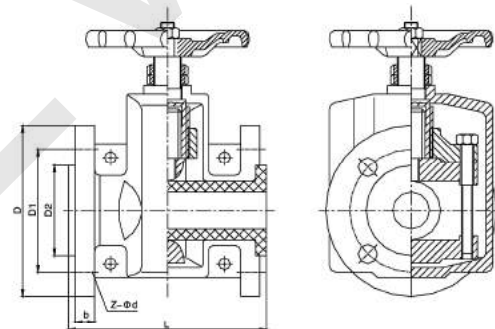


橡胶符合波纹补偿器 (FXZF型耐正负压)
Rubber conforms to the corrugated compensator
(model FXZF is resisting both positive and negative voltages)

主要连接尺寸 Main connection size

公称通径 DN(mm)	L	波数 Wave number	轴向补偿量 Axial offsets ΔX (mm)	径向补偿量 radial compensation amount ΔY (mm)	角向补偿量 Angular offsets ΔQ (mm)	公称压力 Nominal pressure PN(MPa)
40	92	3	± 18	14	25	0.40/-0.09
50	98	3	± 18	15	25	0.04/-0.09
65	105	3	± 20	16	25	0.35/-0.09
80	110	3	± 20	16	25	0.35/-0.09
100	115	3	± 25	17	20	0.30/-0.09
125	123	3	± 27	17	18	0.30/-0.09
150	123	3	± 27	16	15	0.25/-0.09
200	150	3	± 27	15	13	0.25/-0.09
250	160	3	± 27	12	10	0.25/-0.09
	200	4	± 33	14	12	0.25/-0.09
300	180	3	± 27	8	5.5	0.25/-0.09
	228	3	± 33	10	7.5	0.25/-0.09
350	188	3	± 27	8	4.5	0.25/-0.09
	238	4	± 33	10	6.5	0.25/-0.09
400	230	3	± 30	8	4	0.15/-0.09
	270	4	± 35	10	6	0.15/-0.09
450	230	3	± 30	8	3.5	0.15/-0.09
	270	4	± 35	10	5.5	0.15/-0.09
500	230	3	± 30	8	3	0.15/-0.09
	270	4	± 35	10	5	0.15/-0.09
600	250	3	± 30	8	2.9	0.15/-0.09
	300	4	± 35	10	4.8	0.15/-0.09

GJ41X管夹阀
Tube pinch valve



主要性能规范 Main performance specification 主要零件材料 Main parts

适用温度 Suitable temperature	适用介质 Applicable medium
$\leq 85^\circ\text{C}$	矿浆、磨料、干湿型粉尘类 Pulp, abrasive and wet type dust

名称 Name	阀体 Valve body	套管 casing	阀杆 Valve stem	压杆 Compressive bar	手轮 Handwheel	托架 Bracket
材料 Material	铝合金 Aluminum alloy	橡胶 Rubber	铸钢、碳钢 Cast steel, carbon steel	铝合金 Aluminum alloy	铸铁 Cast iron	球墨铸铁 Nodular cast iron

主要外形尺寸和连接尺寸 Main shapes and sizes(mm)

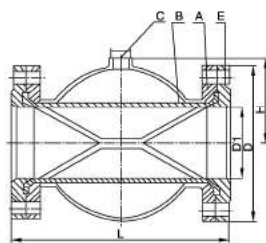
公称通径 DN(MPa)	公称压力 PN(MPa)	工作压力 (MPa)	L	L1	L0	D	D1	D0	H	Z-Φ	重量(Kg) Weight
25	0.6	0.6	160	124	31	115	85	120	150	4-14	3
32			165	145	40	140	100	140	174	4-18	4.5
40			190	157	50	150	110	140	186	4-18	5.5
50			210	160	60	160	125	160	205	4-18	7.5
65			270	199	74	180	145	160	238	4-18	10.5
80			300	222	88	195	160	200	241	4-18	15.5
100			350	250	106	215	180	240	301	8-18	20
125			430	318	134	245	210	280	360	8-18	32.5
150			500	350	158	280	240	320	405	8-23	48
200			650	446	206	335	295	560	545	8-23	102
250			800	516	256	395	350	560	632	12-23	
300			950	562	304	445	400	620	741	12-23	

采用标准 Adopted standard

设计制造 Design and manufacture: Q/JBGN02; 结构长度 Structural length: Q/JBGN02; 法兰连接 Flange linkup: JB78(PN1.0MPa)

GJ841X管夹阀
Tube pinch valve

国标X41F46衬氟旋塞阀
National-standard fluorine-lined plug valve



- A、阀体body
 - B、橡胶管套 rubber tube sleeve
 - C、控制流体（水或气）入口
control fluid (water or air) entrance
 - E、连接法兰linkup flange
- 手动/自动控制：外加三通手动阀或三通电磁阀控制压缩空气或压力水进入阀体
Manual/automatic control: additional three-way manual valve or three-way solenoid valve is used to control compressed air or pressurized water to enter the body.

特点 Characteristics

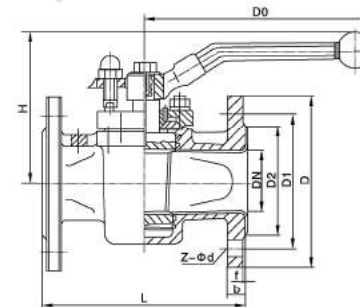
- 1、无压力损失、无堵塞、无泄露、防水冲击。
 - 2、特别适用于含颗粒的液—固及气—固二相流。
 - 3、橡胶管套带有纤维增强结构，耐磨、抗疲劳。
- 1、 Without pressure loss, without block-up, without leaking, preventing water impact.
2、 Specially applicable for the grain contained liquid-solid and air-solid two-phase flows.
3、 The rubber tube sleeve is set with a fiber reinforced structure, wear-resistant and anti-fatigue.

适用介质：水、泥浆、矿渣、腐蚀性等
阀体材质：铝合金（其他材质也可定做）
内衬材料：天然橡胶、三元乙丙胶、硅橡胶等也可定做
Suitable media: water, slurry, mineral dreg, corrosiveness etc.
Body material: aluminum alloy (other materials can be also made to order)
Lining material: natural rubber, EPDM, silicate rubber etc. can be also made to order

口径CAL	DN25-200	DN250-300
工作压力 Pressure of work	max4bar	max3bar
控制压力 Control the pressure	max6bar	max4.5bar
最大压差Maximum differential pressure	3bar	max3bar

主要零部件材料 Major parts material

公称压力 (MPa)	主要连接尺寸及外形尺寸 Main connection size and dimensions					
	总长(L) overall length	法兰外径D	孔距D1	D2	b	Z-d
50	180	160	125	100	18	4-18
65	180	180	145	120	18	4-18
80	220	195	160	135	18	4-18
100	276	215	180	155	18	8-18
125	345	245	210	185	18	8-18
150	414	280	240	210	20	8-23
200	550	335	265	295	23	8-23
250	680	390	350	350	25	12-23



主要零件材料 Main parts

零件名称 Part name	材料 Material
阀体 Valve body	铸铁、铸钢、不锈钢、内衬 F46, F3 Cast iron, cast steel, stainless steel, liner
塞子 Plug	灰铸铁、铸钢、不锈钢、内衬 F46, F3 Grey cast iron, cast steel, stainless steel, lining
阀盖 Cover	灰铸铁、铸钢、不锈钢 Grey cast iron, cast steel, stainless steel
填料 Packing	F4

技术标准 Technical standards	
设计和制造 Design and manufacture	GB 12240
结构长度 Length of the structure	GB 12221
法兰尺寸 Flange dimensions	JB/T79-78 GB9113.1-26
压力试验 Pressure test	GB/T 13927
驱动方式 Drive way	手动、蜗轮、电动、气动 Manual, worm wheel, electric, pneumatic

主要连接尺寸及重量 Main connection size and weight

公称口径 DN	1.0MPa 主要尺寸 Main dimensions							参考值 Reference	
	L	D	D1	D2	f	b	z-φd	D0	H
20	150	150	75	50	3	14	4-14	160	95
25	160	115	85	65	3	14	4-14	160	98
32	170	135	100	70	3	16	4-18	220	113
40	180	145	110	80	3	18	4-18	250	135
50	210	160	125	100	3	20	4-18	250	140
65	220	180	145	120	3.5	20	4-18	300	145
80	250	195	160	135	3.5	22	4-18	330	205
100	275	215	180	155	4	24	8-18	350	240
125	310	245	210	185	4	26	8-18	400	260
150	350	280	240	210	4	28	8-23	600	290
200	457	335	295	265	4.5	30	8-23	800	330
250	533	390	350	320	4.5	32	12-23	900	380

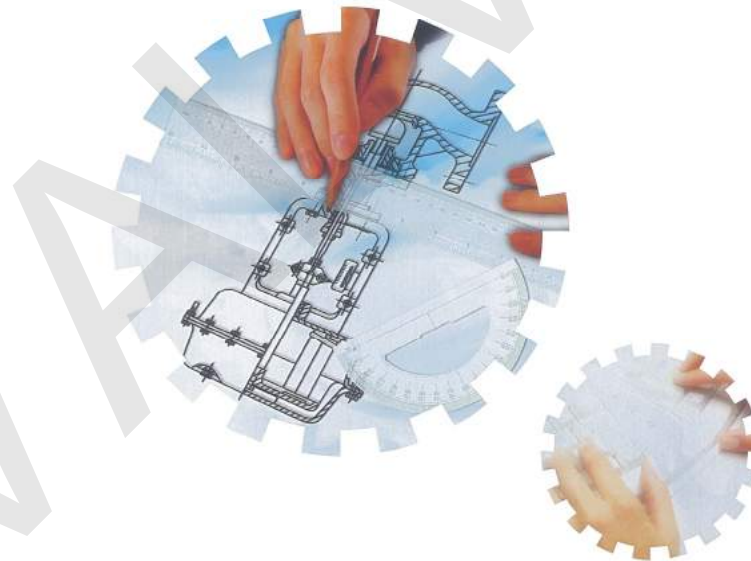
国标X41F46衬氟旋塞阀
National-standard fluorine-lined plug valve

基本型号 Basic model							
公称压力 PN1.0-2.5(MPa) 150lb 公称口径 DN15-400(mm)/in1/2"-16"							
手动 Manual	FQ41PO(全衬里)	蜗轮 传动 Worm gear drive	FQ341PO(全衬里)	气动 Pneumatic	FQ641PO(全衬里)	电动 Electric	FQ941PO(全衬里)
	FQ41F ₄₆ (全衬里)		FQ341F46(全衬里)		FQ641F46(全衬里)		FQ941F46(全衬里)
	FQ41F ₅₀₁ (全衬里)		FQ341F501(全衬里)		FQ641F501(全衬里)		FQ941F501(全衬里)

主要零部件材料表 Main parts material list

序号 NO	零件名称 Name	铸钢 Cast steel	不锈钢 Stainless steel		超低碳不锈钢 Ultralow carbon stainless steel		
		Q	C	P	R	P _L	R _L
1	阀体、阀盖 Body and bonnet	QT450-10	WCB	CF8	CF8M	CF3	CF3M
2	球 ball	WCB	WCB	CF8	CF8M	CF3	CF3M
3	衬里层/阀座 Lining/seating	PTFE(F ₄₆)/PTFE(F ₄)/PCTFE(F ₃)/FEP(F ₂₀)/PO(聚烯烃)					
4	填料压盖 Packing gland	HT250	WCB	CF8	CF8M	CF3	CF3M
5	填料 Packing	PTFE(F ₄)聚四氟乙烯					
6	螺栓 Bolt	A193 B7	A193 B7	A193 B8	A193 B8	A193 B8	A193 B8
7	螺母 Nut	A194 2H	A194 2H	A194 8M	A194 8M	A194 8M	A194 8M
8	手柄 Handle	WCC					

PN10(1.0MPa)										
DN(mm)	D	L	D1	D2	Z-d	f	b	H	W	Wt(kg)
25/50	115/140	150	85/110	68/90	4-14/4-14	2/3	14/14	110	140	5.5
32/65	140/160	165	100/130	78/110	4-18/4-14	3/3	16/14	130	200	7
40/65	150/160	180	110/130	88/110	4-18/4-14	3/3	16/14	135	200	9
40/80	150/190	180	110/150	88/128	4-18/4-18	3/3	16/16	135	200	9
50/80	165/190	200	125/150	102/128	4-18/4-18	3/3	16/16	145	250	15.5
50/100	165/210	200	125/170	102/148	4-18/4-18	3/3	16/16	145	250	15.5
65/100	185/210	220	145/170	122/148	4-18/4-18	3/3	18/16	155	250	19.5
65/125	185/240	220	145/200	122/178	4-18/8-18	3/3	18/18	155	250	19.5
80/125	200/240	250	160/200	135/175	4-18/8-18	3/3	20/18	210	350	30
80/150	200/265	250	160/225	138/202	4-18/8-18	3/3	20/18	210	350	30
100/150	220/265	280	180/225	158/202	8-18/8-18	3/3	20/18	235	350	40
100/200	220/320	280	180/285	158/258	8-18/8-18	3/4	20/20	235	350	40



Our Mission

FREE-Valve focus on High Quality, Continuous Improvement, Outstanding Service and Trust both in the company and in the relationships with customers. The people of FREE- valve always carry the spirit of craftsmen all the time , so we are known as an excellent source for high quality valve supplies and service.

- © 本公司保留对产品设计和规格修改的权利，样本如有变动，恕不另行通知。
- © FREE-Valve company reserves the right to change product designing and specifications, samples are subject to change without notice.