

天津福尔特阀门有限公司
TIANJIN FUTURE VALVE CO., LTD.



Tianjin Future Valve Co., Ltd. is specialized in manufacturing kinds of valves & fittings since 1998. With decades of professional experience, strict Quality Control and good service, we establish good relationship with customers of Europe, Southeast Asia, America and Middle East, etc.

The main products are soft /metal seated Gate valve, Globe valve, Check valve, Butterfly valve, Ball valve, diaphragm valve, plug valve, Strainer and pipeline fittings.

Working temperature:-80 ~ 700°C.

Nominal dimension:1/2" ~ 112" (DN15~DN2800).

Pressure grade:0.25 ~ 42Mpa(125LB ~ 2500LB).

Material:cast iron(HT200, HT250, GG20, GG25, A126), Ductile iron(QT450, QT500, GGG40-GGG50, A536), carbon steel(WCA,WCB,WCC,LCB),stainless steel(CF3,CF8,CF3M,CF8M,1Cr5Mo), etc..

The products are designing, manufacturing and testing according to GB, ANSI, AWWA, MSS, JIS, DIN, BS, GOST, etc.

天津福尔特阀门有限公司1998年开始专业生产各种阀门及管件。

目前产品已销往欧洲、南美洲、非洲、中东、东南亚等国家和地区，广泛应用于供水、石油、化工、电力、冶金、建筑等领域，赢得了客户的广泛赞誉和信赖。

主要产品：闸阀、蝶阀、止回阀、截止阀、球阀、隔膜阀、旋塞阀、过滤器及管道配件等；

工作温度：-80 ~ 700°C。

公称口径：1/2" ~ 112" (DN15~DN2800mm)。

压力等级：0.25 ~ 42Mpa(125LB ~ 2500LB)。

主要材料：灰铸铁、球墨铸铁、碳钢、铸钢、不锈钢等。

产品除执行中国GB标准外，主要采用美国ANSI、AWWA、德国DIN、英国BS、日本JIS、GOST等先进工业国家标准进行设计、制造和检验。



Normal type butterfly valve 常规体型蝶阀



Heavy type butterfly valve 重体蝶阀

BUTTERFLY VALVE 蝶阀系列

Concentric disc wafer(Lugged)butterfly valve D7A(L)1X型中线对夹(单夹)蝶阀	01
Selection table of materials applicable for medium 材质适用介质选用表	03
Main spare part material quality 蝶阀主要零部件材质	03
Performance curve of flow rate 流量特征曲线	03
Cv Valve-Flow rate coefficient Cv值-流量系数(US-GPM@1ΔP)	03
Concentric disc flanged butterfly valve D41X型中线法兰蝶阀	04
Dimensions and weight of lever/handle 手柄尺寸和单重	04
Dimensions and weight of gearbox 蜗轮头尺寸和单重	04
Dimensions and weight of second-stage gearbox 二级蜗轮头尺寸和单重	04
Rubber seat double eccentric flanged butterfly valve D42X型双偏心法兰蝶阀	05
Triple-Eccentric butterfly valve 三偏心蝶阀	06

DIN VALVE SERIES 德标系列

DIN F4/F5 resilient seated gate valve 德标F4/F5软密封闸阀	07
DIN F4/F5 metal seal gate valve 德标F4/F5硬密封闸阀	07
DIN globe valve & angle type globe valve 德标截止阀和角式截止阀	08
DIN swing check valve 德标旋启式止回阀	08
DIN lift check valve 德标升降式止回阀	08
Dual plate check valve 双板止回阀	09
DIN ball valve 德标球阀	09
DIN Y strainer screwed & flanged 德标丝扣和法兰过滤器	09

ANSI VALVE SERIES 美标系列

AWWA C509/C515 resilient seated gate valve 美标软密封闸阀	10
ANSI 125LB metal-seal gate valve 美标硬密封闸阀	10
ANSI gate valve & globe valve 美标闸阀和截止阀	11
ANSI Y strainer 美标过滤器	11
ANSI ball valve 美标球阀	11
ANSI swing check valve 美标旋启式止回阀	12

GOST VALVE SERIES 俄标系列

GOST plug valve 俄标旋塞阀	12
30ч66р GOST Py10 cast iron gate valve 俄标铸铁闸阀	13
30с41нж GOST Py16 cast steel gate valve 俄标铸钢闸阀	13
GOST diaphragm valve 俄标隔膜阀	13
GOST Py16 cast iron globe valve 俄标铸铁截止阀	14
GOST cast/stainless steel globe valve 俄标铸钢/不锈钢截止阀	14
GOST Py16 cast iron check valve 俄标铸铁止回阀	15
GOST cast/stainless steel check valve 俄标铸钢止回阀	15
11с41н GOST cast/stainless steel ball valve 俄标铸钢/不锈钢球阀	16
11с67н GOST all-welded ball valve 俄标全焊接球阀	16

BS VALVE SERIES 英标系列

BS 5163 resilient seated gate valve 英标软密封闸阀	17
BS 5163 metal-seal gate valve 英标硬密封闸阀	17
BS 5153 swing check valve 英标旋启式止回阀	18
BS Y strainer 英标过滤器	18
Socket ends resilient seated gate valve 承插式软密封闸阀	18
Service connection valve 丝扣软密封闸阀	18

JIS/KS VALVE SERIES 日标韩标系列

10K resilient seated gate valve 日标韩标10K标软密封闸阀	19
10K Y strainer 日标韩标10K过滤器	19
10K metal-seal gate valve 日标韩标10K硬密封闸阀	19
10K swing check valve 日标韩标旋启式止回阀	20
10K globe valve 日标韩标截止阀	20
10K vertical check valve 日标韩标立式止回阀	20
10K ball valve 日标韩标球阀	20



天津福尔特阀门有限公司

TIANJIN FUTURE VALVE CO., LTD.

Export department

ICQ: 641903371

QQ: 1540266638

Skype: futurevalve

E-mail: iva@future-valve.com

国内销售部

联系人: 杨经理

QQ: 381369430

手机: 13820836488

E-mail: andy@future-valve.com

赵经理

2541371655

15833995280

martin@future-valve.com

Tel/Fax: 0086 22 28769696

www.future-valve.com

地址: 中国天津市津南区小站镇黄台开发区

Add: Huangtai Development area, Xiaozhan, Jinnan district, Tianjin, China



Concentric disc wafer(Lugged)butterfly valve D7A(L)1X型中线对夹(单夹)蝶阀

BUTTERFLY VALVE
蝶阀系列



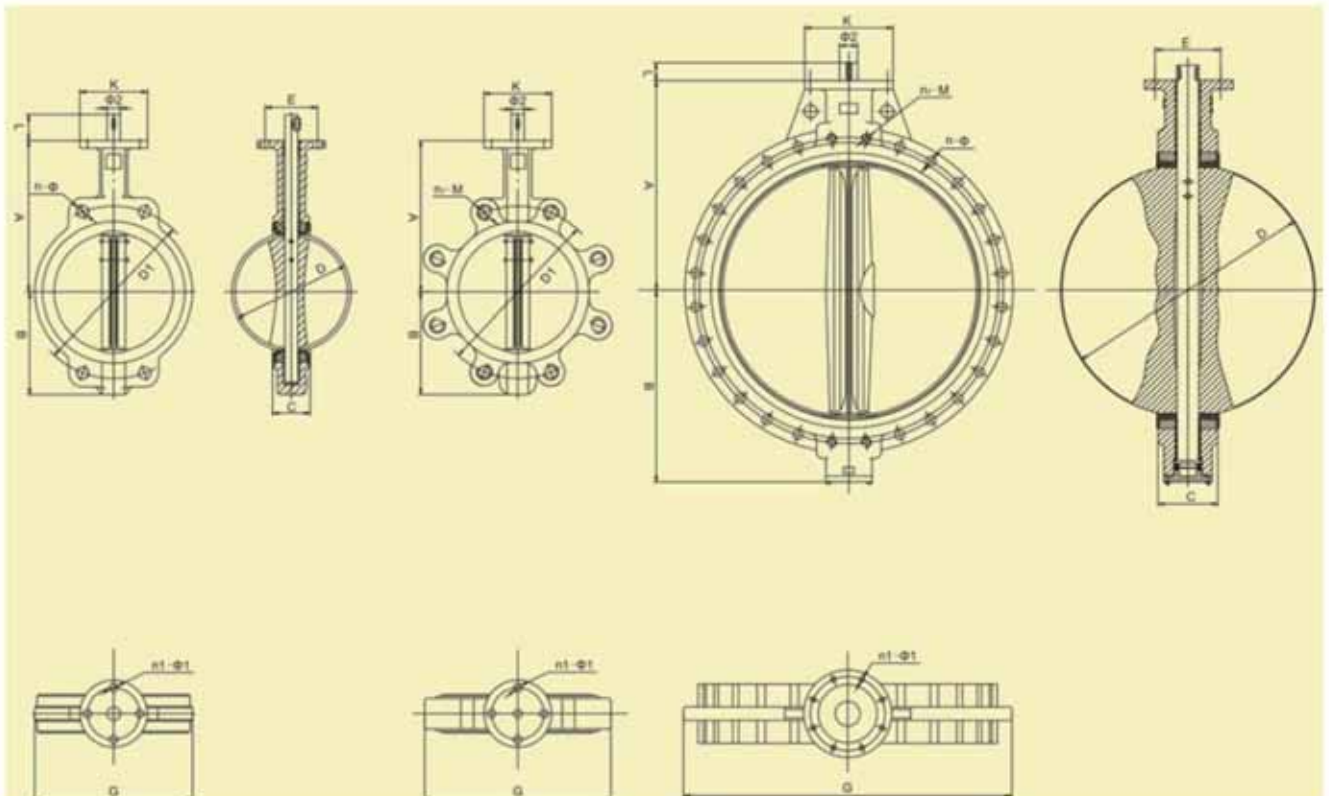
Heavy type wafer butterfly valve
带筋重型对夹蝶阀

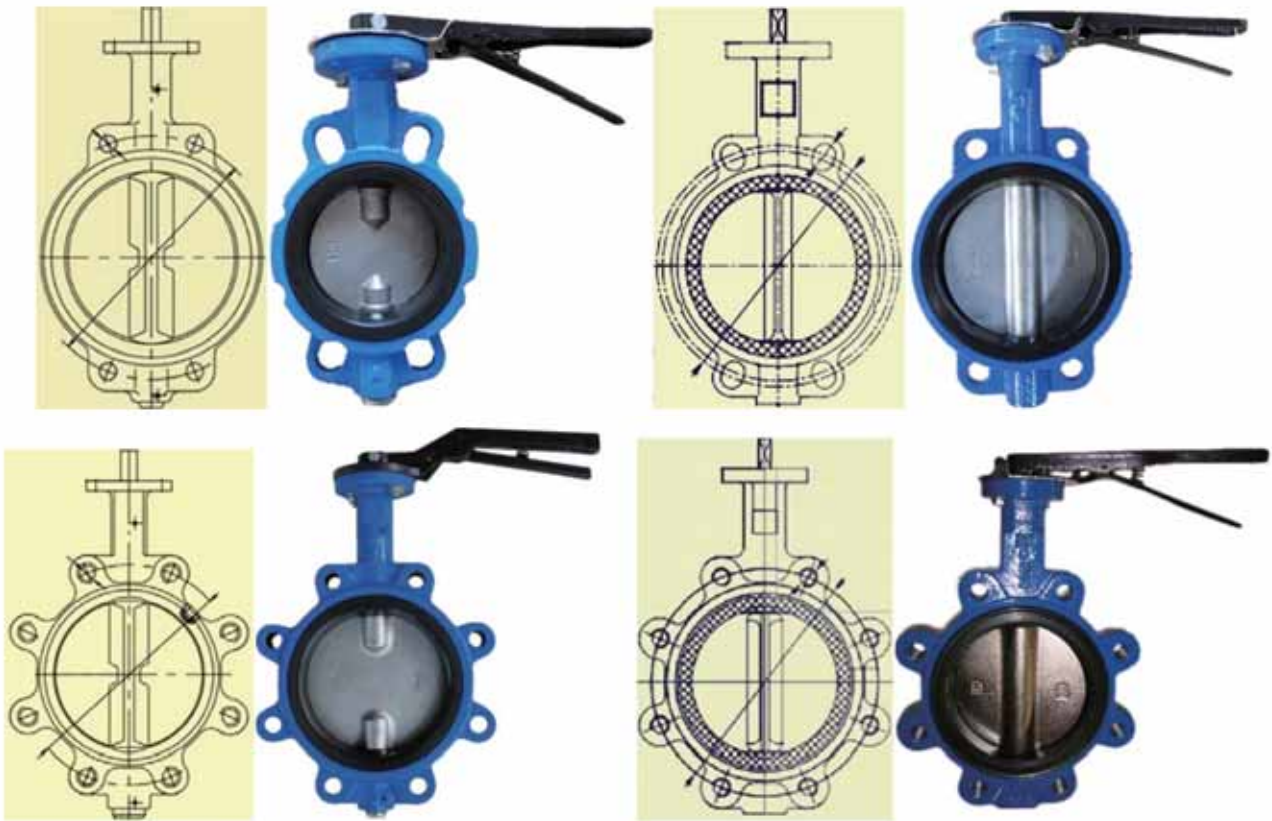


Stainless steel butterfly valve
全不锈钢蝶阀



PTFE lined butterfly valve
全四氟蝶阀





Two stem without pin butterfly valve
双半轴无销蝶阀

Single stem without pin butterfly valve
单轴无销蝶阀

Main connection dimensions & weight 主要连接尺寸和单重

Size 规格 DN(mm) NPS(inch)	A	B	C	D	L	D1		n-Ø		K	E	n1-Ø1	Ø2	G		weight 单重(kg)		
						A type	LT type	A type	LT type					A type	LT type	A type	LT type	
50	2"	140	80	42	52.9	32	120	125	4-23	4-M16	77	57.15	4-6.7	12.60	118	118	2.2	3.8
65	2.5"	150	89	44.7	64.5	32	136.2	145	4-26.5	4-M16	77	57.15	4-6.7	12.60	137	137	2.5	4.2
80	3"	158	95	45.2	78.8	32	160	160	8-18	8-M16	77	57.15	4-6.7	12.60	143	143	2.9	4.7
100	4"	176	114	52.1	104.0	32	185	180	4-24.5	8-M16	92	69.85	4-10.3	15.77	156	206	4.3	9.0
125	5"	190	127	54.4	123.3	32	215	210	4-23	8-M16	92	69.85	4-10.3	18.92	190	238	6.1	10.9
150	6"	201	139	55.8	155.6	32	238	240	4-25	8-M20	92	69.85	4-10.3	18.92	212	266	7.8	14.2
200	8"	235	175	60.6	202.5	45	295	295	4-25	8-M20	115	88.90	4-14.3	22.10	268	317	12.2	18.2
									4-23	12-M20						329		
250	10"	265	203	65.6	250.5	45	357	350	4-29	12-M20	115	88.90	4-14.3	28.45	325	393	18.8	26.8
								355		12-M24								
300	12"	305	242	76.9	301.6	45	407	400	4-29	12-M20	140	107.95	4-14.3	31.60	403	460	28.7	40.0
								410		12-M24								
350	14"	368	267	76.5	333.5	45	467	460	4-30	16-M20	140	107.95	4-14.3	31.60	436	515	41.3	56.0
								470		16-M24								
400	16"	400	309	85.7	389.6	51.2	515	515	4-26	16-M24	197	158.75	4-20.6	33.15	488	579	61.0	96.0
							72	525	525	4-30				16-M27				
450	18"	422	328	105	440.5	51.2	565	565	4-26	20-M24	197	158.75	4-20.6	38.00	539	627	79.0	122.0
						72	585	585	4-30	20-M27				42.86				
500	20"	480	360	130	491.6	52.8	620	620	4-26	20-M24	197	158.75	4-20.6	41.15	594	696	128.0	202.0
						77.5	650	650	4-33	20-M30				45.75				
600	24"	562	459	151	592.5	70.2	725	725	20-30	20-M27	276	215.90	4-22.2	50.65	824	821	188.0	270.0
						82	770	770	20-36	20-M33				53.98				
700	28"	624	520	163	695.0	66	840	/	24-30	/	300	254.00	8-18	55.00	895	/	284.0	/
						82		20-36	63.35									
800	32"	672	591	188	794.7	66	950	/	24-33	/	300	254.00	8-18	55.00	1015	/	368.0	/
						82		24-39	63.35									
900	36"	720	656	203	864.7	118	1050	/	24-33	/	300	254.00	8-18	75.00	1115	/	713.0	/
1000	40"	800	722	216	965.0	141	1160	/	24-36	/	300	254.00	8-18	85.00	1230	/	864.0	/

Note: DN50~DN800 butterfly valves are suitable for the pressure of PN1.0 and PN1.6MPa grade separately.

Two dimensions in one size show the connection dimensions of PN1.0/PN1.6MPa pressure grade.

The upper flanges of the valves are suitable all types of valves fitted with electric, worm gear, manual, pneumatic and actuators. The dimensions D1 and n-Ø are listed in above table show the installation dimensions of butterfly valve. It contains China Standard (GB), International Standard (ISO), Germany Standard (DIN), and England Standard (BS) of flange connection standard, etc.

注: DN50~DN800蝶阀分别适用于PN1.0/PN1.6MPa两种压力级别,表中没规格中有两个尺寸分别表示PN1.0MPa和PN1.6MPa两种压力级别连接尺寸,蝶阀上法兰可通用于手动、蜗轮蜗杆传动、电动、气动等驱动装置的链接。表中D1和n-Ø为蝶阀安装定位尺寸,包容国标(GB)、国际标准(ISO)、德标(DIN)、英标(BS)等法兰连接标准。



Selection table of materials applicable for medium(only for reference) 材质适用介质选用表 (仅供参考) ■ Applicable 适用 ■ Not applicable, flow rate higher than 1.5m/s 不适用, 流速大于1.5m/s时不适用。

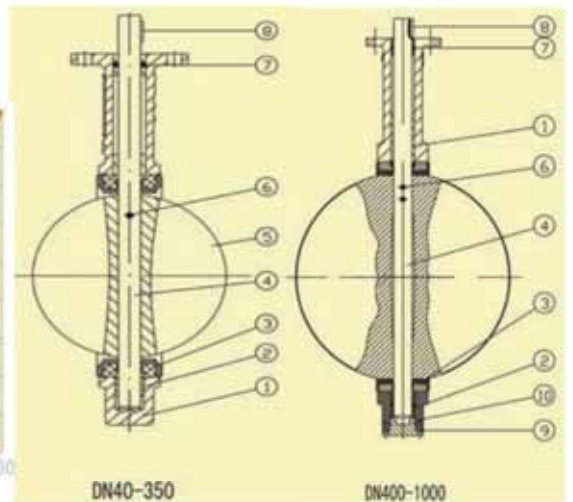
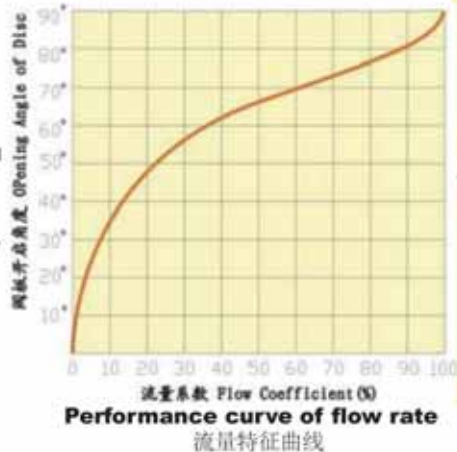
Material 材质	Applicable temp. 适用温度(°C)	Applicable medium 适用介质										Feature 特点	
		Fresh water 淡水	Sea water 海水	Salt base 盐类	Strong base 强碱	Weak base 弱碱	Weak acid 弱酸	Natural gas 天然气	Alcohol 醇类	Steam 蒸汽	Oil 油类		Food 食品
Natural rubber 天然橡胶	-20 ~ +85												High elasticity 高弹性
Hypalon 海帕伦	-18 ~ +135 短时 -18 ~ +149												Oxidation resistant 耐氧化
EPDM 乙丙橡胶	-45 ~ +135 短时 -30 ~ +140												Aging resistant 耐老化
Neoprene 氯丁橡胶	-7 ~ +93 短时 -7 ~ +107												Light-proof, aging resistant 耐光、耐老化
NBR 丁腈橡胶	-12 ~ +82 短时 -12 ~ +93												Oil resistant 耐油
Viton 氟橡胶	-12 ~ +135 短时 -12 ~ +140												High temp. resistant, corrosion resistant 耐高温、耐腐蚀
Di + Ni 电镀球铁	-30 ~ 350												Heat resistant 耐热
AL-B 铝青铜	-273 ~ 232												Heat resistant, corrosion resistant 耐热、耐腐蚀
Stainless steel 不锈钢	-268 ~ 316												High temp. resistant, corrosion resistant 耐高温、耐腐蚀

Main spare part material quality 蝶阀主要零部件材质

③ Seat 阀座		① Body 阀体		⑤ Disc 阀板		② Bushing 轴套	④ Stem/shaft 阀杆	⑥ Taper pin 圆锥销	⑦ O-ring O型圈	⑧ Key 键	⑨ Bolt 螺钉	⑩ End plate 底端盖
material 材质	Item 代号	material 材质	Item 代号	material 材质	Item 代号							
Natural rubber 天然橡胶	X1	CI 灰铁	Z	Di + Ni 电镀球铁	B1	Bronze/PTFE	CS/SS	SS	Rubber	CS	CS	CS/SS
Hypalon 海帕伦	X2	DI 球铁	Q	AL-B 铝青铜	B2	青铜/聚四氟乙烯	碳钢/不锈钢	不锈钢	橡胶	碳钢	碳钢	碳钢/不锈钢
EPDM 乙丙橡胶	X3	AL-B 铝青铜	T	CF8 不锈钢304	B3							
Neoprene 氯丁橡胶	X4	CF8 不锈钢304	P	CF8M 不锈钢316	B5							
NBR 丁腈橡胶	X5	CF8M 不锈钢316	R									
Abrasion resistant rubber 耐磨橡胶	X6	Carbon steel 碳钢	C									
Viton 氟橡胶	X7											
Heat resistant EPDM 耐热乙丙橡胶	X9											
PTFE 聚四氟乙烯	F4											

Note: Performance curve of flow volume means the relationship between open degree of valve and flow volume, normally butterfly valve suitable to use in control flow. When valve's open degree under 30°, not recommended to use in flow volume control.

注：流量特征曲线表示阀门开启程度和流量的关系，一般蝶阀适用于流量控制，当蝶阀开启角度在30°以下时，不推荐用于流量控制。

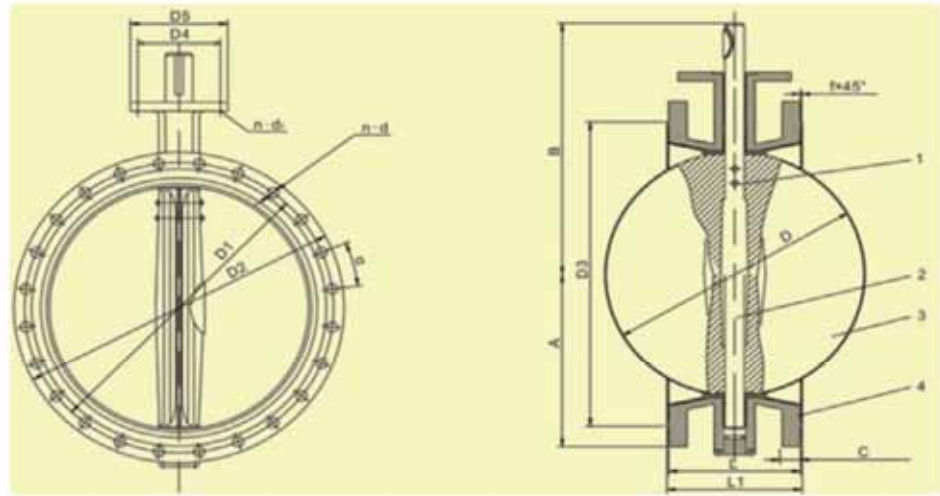


Cv Valve-Flow rate coefficient Cv值-流量系数 (US-GPM@1ΔP)

Size	10°	20°	30°	40°	50°	60°	70°	80°	90°
DN50	0.1	5	12	24	45	64	90	125	135
DN65	0.2	8	20	37	65	98	144	204	220
DN80	0.3	12	22	39	70	116	183	275	302
DN100	0.5	17	36	78	139	230	364	546	600
DN125	0.8	29	61	130	237	392	620	930	1022
DN150	2	45	95	205	366	605	958	1437	1579
DN200	3	89	188	408	727	1202	1903	2854	3136
DN250	4	151	320	694	1237	2047	3240	4859	5340
DN300	5	234	495	1072	1911	3162	5005	7507	8250
DN350	6	338	715	1549	2761	4568	7230	10844	11917
DN400	8	464	983	2130	3797	6282	9942	14913	16388
DN450	11	615	1302	2822	5028	8320	13168	19752	21705
DN500	14	791	1674	3628	6465	10698	16931	25396	27908
DN600	22	1222	2587	5605	9989	16528	26157	39236	43116
DN700	30	1633	3522	7630	12599	20036	30482	46899	85696
DN800	45	2387	4791	8736	13786	20613	31395	48117	68250
DN900	60	3021	6063	11055	17449	26086	39731	60895	86375
DN1000	81	4183	8395	15307	24159	36166	55084	84425	119750



Concentric disc flanged butterfly valve D41X型中线法兰蝶阀



Materials of main parts 主要部件材质:

1.Pin 圆锥销	2.Stem 阀杆	3.Disc	4.Body 阀体
SS 不锈钢	SS 不锈钢	DI,AL-B,SS 球铁, 铝青铜, 不锈钢	DI/CI + EPDM/NBR 球铁/灰铁挂胶

Main connection dimensions & weight 主要连接尺寸和单重

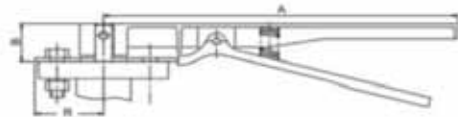
Size 规格 DN(mm) NPS(inch)	A	B	C	D	D1		D2		D3	D4	D5	L		L1	n-d		f	n1-d1	short weight (kg)		
					PN10	PN16	PN10	PN16				short	long		PN10	PN16			PN10	PN16	
50	2"	83	120	20	52.9	125	125	165	165	99	57.15	65	108	/	111	4-19	4-19	3	4-6.7	7.6	7.6
65	2.5"	93	130	20	64.5	145	145	185	185	118	57.15	65	112	/	115	4-19	4-19	3	4-6.7	9.7	9.7
80	3"	100	145	22	78.8	160	160	200	200	132	57.15	65	114	/	117	8-19	8-19	3	4-6.7	10.6	10.6
100	4"	114	155	24	104.0	180	180	220	220	156	69.85	90	127	190	130	8-19	8-19	3	4-10.3	13.8	13.8
125	5"	125	170	26	123.3	210	210	250	250	184	69.85	90	140	200	143	8-19	8-19	3	4-10.3	18.2	18.2
150	6"	143	190	26	155.6	240	240	285	285	211	69.85	90	140	210	143	8-23	8-23	3	4-10.3	21.7	21.7
200	8"	170	205	26	202.5	295	295	340	340	266	88.90	125	152	230	155	8-23	12-23	3	4-14.3	31.8	33.8
250	10"	198	235	28	250.5	350	355	395	405	319	88.90	125	165	250	168	12-23	12-28	3	4-14.3	44.7	46.7
300	12"	223	280	28	301.5	400	410	445	460	370	107.95	150	178	270	182	12-23	12-28	4	4-14.3	57.9	59.9
350	14"	279	310	30	333.5	460	470	505	520	429	107.95	150	190	290	194	16-23	16-28	4	4-14.3	81.6	83.6
400	16"	300	340	32	389.6	515	525	565	580	480	158.75	175	216	310	221	16-28	16-31	4	4-20.6	105.0	110.0
450	18"	345	375	32	440.5	565	585	615	640	530	158.75	175	222	330	227	20-28	20-31	4	4-20.6	147.0	152.0
500	20"	355	430	34	491.6	620	650	670	715	582	158.75	210	229	350	234	20-28	20-34	4	4-20.6	165.0	169.0
600	24"	410	500	36	592.5	725	770	780	840	682	215.90	210	267	390	272	20-31	20-37	5	4-22.2	235.0	240.0
700	28"	478	560	40	695.0	840	840	895	910	794	254.00	300	292	430	299	24-31	24-37	5	8-18	338.0	345.0
800	32"	529	620	44	794.7	950	950	1015	1025	901	254.00	300	318	470	325	24-34	24-40	5	8-18	475.0	482.0
900	36"	584	665	46	864.7	1050	1050	1115	1125	1001	254.00	350	330	510	338	28-34	28-40	5	8-18	595.0	602.0
1000	40"	657	735	50	965.0	1160	1160	1230	1255	1112	254.00	350	410	550	417	28-37	28-43	5	8-18	794.0	805.0
1200	48"	799	917	56	1160.0	1380	1380	1455	1485	1328	356.00	415	470	630	478	32-41	32-49	5	8-22	1290.0	1320.0
1400	56"	920	1230	62	1393.7	1590	1590	1675	1685	1530	356.00	415	530	710	538	36-43	36-49	5	8-22	2218.0	2245.0

Note: The dimensions of D1 and n-d ones are manufactured according to China Standard (GB), International Standard (ISO), American Standard (ANSI), Germany Standard (DIN), England Standard (BS) and Japan Standard (JIS). The dimensions of D4 and n-d1 ones are manufactured according to GB/T 12223 and ISO 5211 Standard.

注: D1和n-d尺寸可按照国标 (GB)、国际标准 (ISO)、美标 (ANSI)、德标 (DIN)、英标 (BS)、日标 (JIS) 加工生产, D4和n-d1尺寸可按照GB/T 12223和ISO 5211标准加工生产。

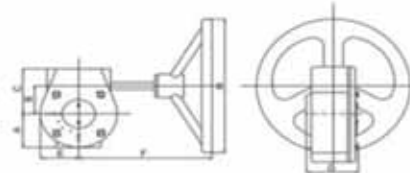
Dimensions and weight of lever/handle 手柄尺寸和单重

Size (DN)	A	B	R	weight (kg)
40~150	266	32	52	0.9
200~300	359	45	75	2.3



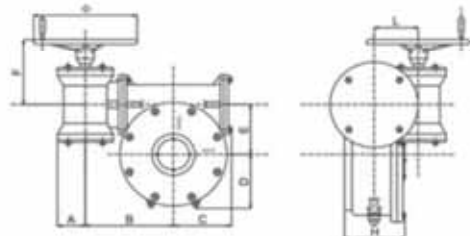
Dimensions and weight of gearbox 蜗轮头尺寸和单重

Model	Size (DN)	A	B	C	E	F	G	Ø	weight (kg)
3D-15	40~150	52	45	74	52	152	75	150	5.2
3D-50	200~250	75	62	101	75	250	86	300	13
3D-120	300~350	81	80	118	81	227	83	300	15



Dimensions and weight of second-stage gearbox 二级蜗轮头尺寸和单重

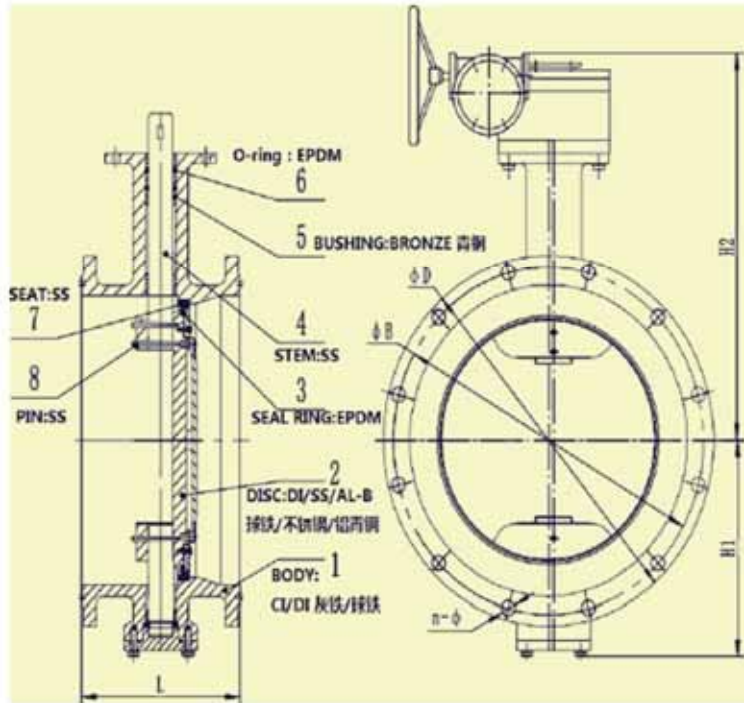
Model	Size (DN)	A	B	C	D	E	F	H	L	Ø	weight (kg)
3D-30/250	400~500	56	178	121	115	104	174	125	66	300	56
3D-30/400	600	56	197	142	144	130	174	145	66	300	72
3D-60/800	700~800	67	244	183	189	162	165	157	88	400	124
3D-120/1500	900~1000	76	270	215	220	196	215	235	126	300	158





Rubber seat double eccentric flanged butterfly valve

D42X型双偏心法兰蝶阀

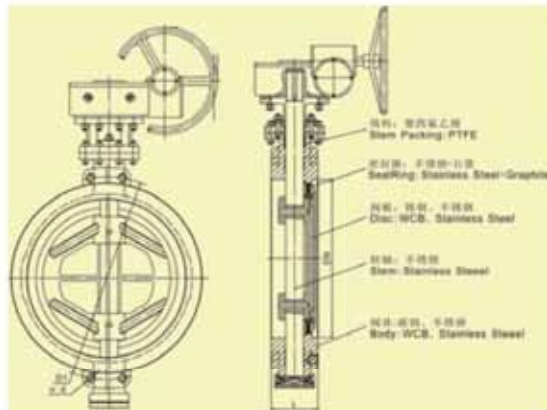


Main connection dimensions 主要连接尺寸

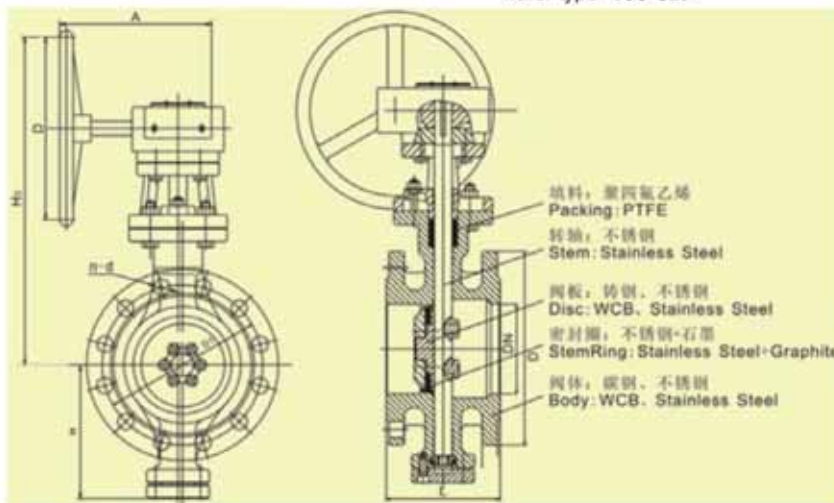
Size 规格		L		H1		H2		PN10			PN16		
DN (mm)	NPS (inch)	short	long	short	long	short	long	Ø D	Ø B	n-Ø d	Ø D	Ø B	n-Ø d
65	2.5"	112	170	89	238	185	145	4-19	185	145	4-19		
80	3"	114	180	89	192	200	160	8-19	200	160	8-19		
100	4"	127	190	94	212	220	180	8-19	220	180	8-19		
125	5"	140	200	115	232	250	210	8-19	250	210	8-19		
150	6"	140	210	121	232	285	240	8-23	285	240	8-23		
200	8"	152	230	195	310	290	340	295	8-23	340	295	12-23	
250	10"	165	250	225	340	320	395	350	12-23	405	355	12-28	
300	12"	178	270	245	395	345	445	400	12-23	460	410	12-28	
350	14"	190	290	295	415	360	505	460	16-23	520	470	16-28	
400	16"	216	310	330	568	620	565	515	16-28	580	525	16-31	
450	18"	222	330	360	590	650	615	565	20-28	640	585	20-31	
500	20"	229	350	375	690	690	670	620	20-28	715	650	20-34	
600	24"	267	390	425	745	770	780	725	20-31	840	770	20-37	
700	28"	292	430	520	830	860	895	840	24-31	910	840	24-37	
800	32"	318	470	580	880	920	1015	950	24-34	1025	950	24-40	
900	36"	330	510	640	1115	1085	1115	1050	28-34	1125	1050	28-40	
1000	40"	410	550	710	1165	1210	1230	1160	28-37	1255	1170	28-43	
1200	48"	470	630	820	855	1267	1483	1455	32-41	1485	1390	32-49	
1400	56"	530	710	1015	1078	1530	1900	1675	36-43	1685	1590	36-49	
1600	64"	600	790	1030	1160	1720	1910	1915	40-48	1930	1820	40-48	
1800	72"	670	870	1130	1330	1620	2160	2115	44-48	2130	2020	44-48	
2000	80"	760	950	1250	1486	1850	2115	2325	48-48	2345	2230	48-48	



Triple-Eccentric butterfly valve 三偏心蝶阀



wafer type 对夹连接



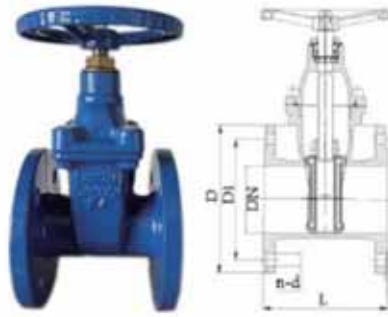
Flanged end 法兰连接

Main connection dimensions 主要连接尺寸

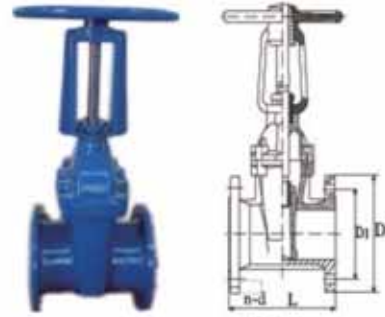
Size 规格	DN(mm)	NPS(inch)	L		H	H0	A	D0	PN10			PN16			PN25		
			short	long					D	D1	n-d	D	D1	n-d	D	D1	n-d
50	2"	2"	108	150	85	254	128	160	165	125	4-19	165	125	4-19	165	125	4-19
65	2.5"	2.5"	112	170	95	278	128	160	185	145	4-19	185	145	4-19	185	145	8-19
80	3"	3"	114	180	106	312	128	160	200	160	8-19	200	160	8-19	200	160	8-19
100	4"	4"	127	190	114	330	128	160	220	180	8-19	220	180	8-19	235	190	8-22
125	5"	5"	140	200	130	368	128	160	250	210	8-19	250	210	8-19	270	220	8-26
150	6"	6"	140	210	148	404	178	230	285	240	8-23	285	240	8-23	300	250	8-26
200	8"	8"	152	230	176	496	178	230	340	295	8-23	340	295	12-23	360	310	12-26
250	10"	10"	165	250	210	558	178	230	395	350	12-23	405	355	12-28	425	370	12-30
300	12"	12"	178	270	238	632	209	300	445	400	12-23	460	410	12-28	485	430	16-30
350	14"	14"	190	290	270	672	209	300	505	460	16-23	520	470	16-28	555	490	16-33
400	16"	16"	216	310	302	714	269	350	565	515	16-28	580	525	16-31	620	550	16-36
450	18"	18"	222	330	332	768	269	350	615	565	20-28	640	585	20-31	670	600	20-36
500	20"	20"	229	350	370	828	269	350	670	620	20-28	715	650	20-34	730	660	20-36
600	24"	24"	267	390	432	952	269	350	780	725	20-31	840	770	20-37	845	770	20-39
700	28"	28"	292	430	470	1000	340	450	895	840	24-31	910	840	24-37	960	875	24-32
800	32"	32"	318	470	530	1078	340	450	1015	950	24-34	1025	950	24-40	1085	990	24-48
900	36"	36"	330	510	580	1180	421	450	1115	1050	28-34	1125	1050	28-40	1185	1090	28-48
1000	40"	40"	410	550	650	1272	421	500	1230	1160	28-37	1255	1170	28-43	1320	1210	28-55
1200	48"	48"	470	630	765	1418	421	500	1455	1380	32-41	1485	1390	32-49	1530	1420	32-55
1400	56"	56"	530	710	890	1519	500	600	1675	1590	36-43	1685	1590	36-49	1755	1640	36-60
1600	40"	60"	600	790	1010	1629	500	600	1915	1820	40-48	1930	1820	40-48	1975	1860	40-60
1800	48"	60"	670	870	1090	1763	600	700	2115	2020	44-48	2130	2020	44-48	2195	2070	44-68
2000	56"	60"	760	950	1195	2094	600	700	2325	2230	48-48	2345	2230	48-48	2425	2300	48-68



DIN F4/F5 resilient seated gate valve 德标F4/F5软密封闸阀



Non-ring stem gate valve 暗杆闸阀



OS & Y gate valve (ring stem gate valve) 明杆闸阀

Main parts and materials 主要部件材料

Parts name 部件名称	Material 材料
Body, bonnet 阀体, 阀盖	Ductile iron 球铁
Disc 阀板	Ductile iron with EPDM/NBR 球铁包胶
Stem 阀杆	Stainless steel 不锈钢

Standards 标准

Design and Manufacture 设计和制造标准	Face to face 结构长度	Flanged end 法兰标准	Inspection 测试标准
DIN3352 F4/F5	DIN3202/ISO5752	DIN2501/GB-17241	DIN3230/JB-T9092

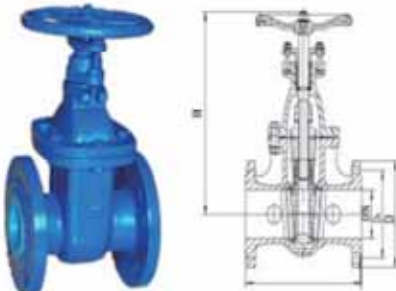
Test 测试

Nominal pressure 公称压力 (MPa)	Shell test 强度试验 (MPa)	Seal test 密封试验 (MPa)
1.0/1.6	1.5/2.4	1.10/1.76

Dimensions 尺寸 (Units 单位: mm 毫米)

Size(DN)	40	50	65	80	100	125	150	200	250	300	350	400	450	500	600	700	
L	F4	140	150	170	180	190	200	210	230	250	270	290	310	330	350	390	430
	F5	240	250	270	280	300	325	350	400	450	500	550	600	650	700	800	900
D	1.0MPa	150	165	185	200	220	250	285	340	395	445	505	565	615	670	780	895
	1.6MPa									405	460	520	580	640	715	840	910
D1	1.0MPa	110	125	145	160	180	210	240	295	350	400	460	515	565	620	725	840
	1.6MPa									355	410	470	525	585	650	770	
n-d	1.0MPa	4-19	4-19	4-19	8-19	8-19	8-19	8-23	8-23	12-23	12-23	16-23	16-28	20-28	20-28	20-31	24-31
	1.6MPa									12-23	12-28	16-28	16-31	20-31	20-34	20-37	24-37

DIN F4/F5 metal seal gate valve 德标F4/F5硬密封闸阀



Non-ring stem gate valve 暗杆闸阀



OS & Y gate valve (ring stem gate valve) 明杆闸阀

Main parts and materials 主要部件材料

Parts name 部件名称	Material 材料
Body, bonnet 阀体, 阀盖, 阀板	Cast iron 灰铁
Stem 阀杆	Stainless steel/Brass 不锈钢/黄铜
Seal ring 密封圈	Stainless steel/Brass 不锈钢/黄铜

Standards 标准

Design and Manufacture 设计和制造标准	Face to face 结构长度	Flanged end 法兰标准	Inspection 测试标准
DIN3352 F4/F5	DIN3202/ISO5752	DIN2501/GB-17241	DIN3230/JB-T9092

Test 测试

Nominal pressure 公称压力 (MPa)	Shell test 强度试验 (MPa)	Seal test 密封试验 (MPa)
1.0/1.6	1.5/2.4	1.10/1.76

Dimensions 尺寸 (Units 单位: mm 毫米)

Size(DN)	40	50	65	80	100	125	150	200	250	300	350	400	450	500	600	700	
L	F4	140	150	170	180	190	200	210	230	250	270	290	310	330	350	390	430
	F5	240	250	270	280	300	325	350	400	450	500	550	600	650	700	800	900
D	1.0MPa	150	165	185	200	220	250	285	340	395	445	505	565	615	670	780	895
	1.6MPa									405	460	520	580	640	715	840	910
D1	1.0MPa	110	125	145	160	180	210	240	295	350	400	460	515	565	620	725	840
	1.6MPa									355	410	470	525	585	650	770	
n-d	1.0MPa	4-19	4-19	4-19	8-19	8-19	8-19	8-23	8-23	12-23	12-23	16-23	16-28	20-28	20-28	20-31	24-31
	1.6MPa									12-23	12-28	16-28	16-31	20-31	20-34	20-37	24-37



TIANJIN FUTURE VALVE CO., LTD.

DIN globe valve & angle type globe valve 德标截止阀和角式截止阀



DIN globe valve 德标截止阀



DIN angle type globe valve 德标角式截止阀

Main parts and materials 主要部件材料

Parts name 部件名称	Material 材料
Body, bonnet 阀体, 阀盖	Cast iron 灰铁
Disc 阀板	A105(铸钢)/Cast iron(灰铁)+2Cr13
Stem, seat ring 阀杆, 密封面	Stainless steel 不锈钢

Standards 标准

Design and Manufacture 设计和制造标准	Face to face 结构长度	Flanged end 法兰标准	Inspection 测试标准
DIN3356	DIN3202-F1/ISO5752	DIN2501/2532/2533	DIN3230/JB-T9092

Test 测试

Nominal pressure 公称压力 (MPa)	Shell test 强度试验 (MPa)	Seal test 密封试验 (MPa)
1.0/1.6	1.5/2.4	1.10/1.76

Dimensions 尺寸 for DIN globe valve 德标截止阀 (Units 单位: mm 毫米)

Size(DN)	15	20	25	32	40	50	65	80	100	125	150	200	250	300
L	130	150	160	180	200	230	290	310	350	400	480	600	730	850
D	95	105	115	140	150	165	185	200	220	250	285	340	405	460
D1	65	75	85	100	110	125	145	160	180	210	240	295	355	410

Dimensions 尺寸 for DIN angle type globe valve 德标截止阀 (Units 单位: mm 毫米)

Size(DN)	15	20	25	32	40	50	65	80	100	125	150	200	250	300	
L	90	95	100	105	115	125	145	155	175	200	225	275	325	375	
H	165	180	195	205	235	250	285	335	370	435	475	555	650	695	
D	1.0MPa	95	105	115	140	150	165	185	200	220	250	285	340	395	445
	1.6MPa	95	105	115	140	150	165	185	200	220	250	285	340	405	460

DIN swing check valve 德标旋启式止回阀

Main parts and materials 主要部件材料

Parts name 部件名称	Material 材料
Body, bonnet, disc 阀体, 阀盖, 阀板	Cast iron 灰铁
Seat ring 密封面	Brass 黄铜

Standards 标准

Design and Manufacture 设计和制造标准	Face to face 结构长度	Flanged end 法兰标准	Inspection 测试标准
DIN3352	DIN3202-F6/ISO5752	DIN2501/2532/EN1092	DIN3230/ISO5208

Test 测试

Nominal pressure 公称压力 (MPa)	Shell test 强度试验 (MPa)	Seal test 密封试验 (MPa)
1.6	2.4	1.76

Dimensions 尺寸 for DIN swing check valve 德标旋启式止回阀 (Units 单位: mm 毫米)

Size(DN)	50	65	80	100	125	150	200	250	300	350	400	450	500	600
L	200	240	260	300	350	400	500	600	700	800	900	1000	1100	1300
H	115	130	147	166	188	217	275	370	412	445	505	695	750	850
D	165	185	200	220	250	285	340	405	460	520	580	640	715	840
D1	125	145	160	180	210	240	295	355	410	470	525	585	650	770



DIN lift check valve 德标升降式止回阀

Main parts and materials 主要部件材料

Parts name 部件名称	Material 材料
Body, bonnet 阀体, 阀盖	Cast iron 灰铁
Disc 阀板	A105(铸钢)/Cast iron(灰铁)+2Cr13
Seat ring 密封面	Stainless 不锈钢

Standards 标准

Design and Manufacture 设计和制造标准	Face to face 结构长度	Flanged end 法兰标准	Inspection 测试标准
DIN3352	DIN3202-F1/ISO5752	DIN2501/2532/EN1092	DIN3230/ISO5208

Test 测试

Nominal pressure 公称压力 (MPa)	Shell test 强度试验 (MPa)	Seal test 密封试验 (MPa)
1.6	2.4	1.76

Dimensions 尺寸 for DIN lift check valve 德标升降式止回阀 (Units 单位: mm 毫米)

Size(DN)	15	20	25	32	40	50	65	80	100	125	150	200
L	130	150	160	180	200	230	290	310	350	400	480	600
D	95	105	115	140	150	165	185	200	220	250	285	340
D1	65	75	85	100	110	125	145	160	180	210	240	295





Dual plate check valve 双板止回阀

Main parts and materials 主要部件材料

Parts name 部件名称	Material 材料
Body 阀体	CI/DI/Stainless steel 灰铁/球铁/不锈钢
Disc 阀板	CI/DI/Stainless steel/Al-bronze 灰铁/球铁/不锈钢/铝青铜
Stem 阀杆	Stainless steel 不锈钢

Standards 标准

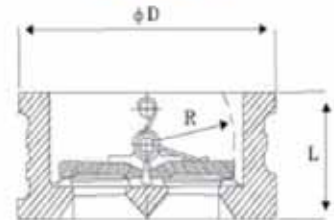
Face to face 结构长度	Flanged end 法兰标准
DIN3202-K3/API 594	DIN 2501/BS 4504/ISO 7005-2 PN10/PN16, BS 10/AS 2129 Table D/E, JIS 2220 5K/10K, ASME B16.1 Class 125 & B16.42 Class 150

Test 测试

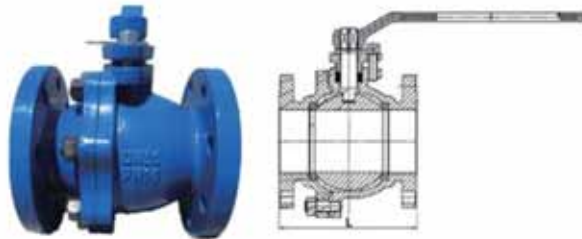
Nominal pressure 公称压力 (MPa)	Shell test 强度试验 (MPa)	Seal test 密封试验 (MPa)
1.0/1.6	1.5/2.4	1.10/1.76

Dimensions 尺寸 for Dual plate wafer check valve 双板对夹式止回阀 (Units 单位: mm 毫米)

Size(DN)	50	65	80	100	125	150	200	250	300	350	400	450	500	600
L(DIN, BS, AS)	43	46	64	64	70	76	89	114	114	127	140	152	152	178
L(ASME)	54	54	57	64	70	76	95	108	143	184	191	203	213	222
D(DIN, BS, AS)	101	121	129	156	187	213	267	327	375	420	483	537	592	695
D(ASME)	105	124	137	175	197	222	279	340	410	451	514	549	606	718
R	27.5	35	42	53	67	77	103	126	146	170	196	215	241	294



DIN ball valve 德标球阀



Main parts and materials 主要部件材料

Parts name 部件名称	Material 材料
Body, bonnet 阀体, 阀盖	Cast iron 灰铁
Ball 球体	Stainless steel 不锈钢2Cr13/304
Stem 阀杆	Stainless 不锈钢
Seat 阀座	PTFE 聚四氟乙烯

Standards 标准

Design and Manufacture 设计和制造标准	Face to face 结构长度	Flanged end 法兰标准	Inspection 测试标准
DIN3357/BS5159	DIN3202-F4/F5/ISO5752	DIN2501/2533/EN1092	DIN3230/ISO5208/API598

Test 测试

Nominal pressure 公称压力 (MPa)	Shell test 强度试验 (MPa)	Seal test 密封试验 (MPa)
1.6	2.4	1.76

Dimensions 尺寸 for DIN ball valve 德标球阀 (Units 单位: mm 毫米)

Size(DN)	15	20	25	32	40	50	65	80	100	125	150	200	250
L	115	120	125	130	140	150	170	180	190	325	350	400	450

DIN Y strainer screwed & flanged 德标丝扣和法兰过滤器



Main parts and materials 主要部件材料

Parts name 部件名称	Material 材料
Body, bonnet 阀体, 阀盖	Cast iron 灰铁
Filter 过滤网	Stainless steel 不锈钢304

Standards 标准

Face to face 结构长度	Flanged end 法兰标准	Inspection 测试标准
DIN3202-F1/ISO5752	DIN2501/2533/EN1092	DIN3230/ISO5208

Test 测试

Nominal pressure 公称压力 (MPa)	Shell test 强度试验 (MPa)	Seal test 密封试验 (MPa)
1.6	2.4	1.76

Dimensions 尺寸 for DIN Y strainer valve 德标过滤器 (Units 单位: mm 毫米)

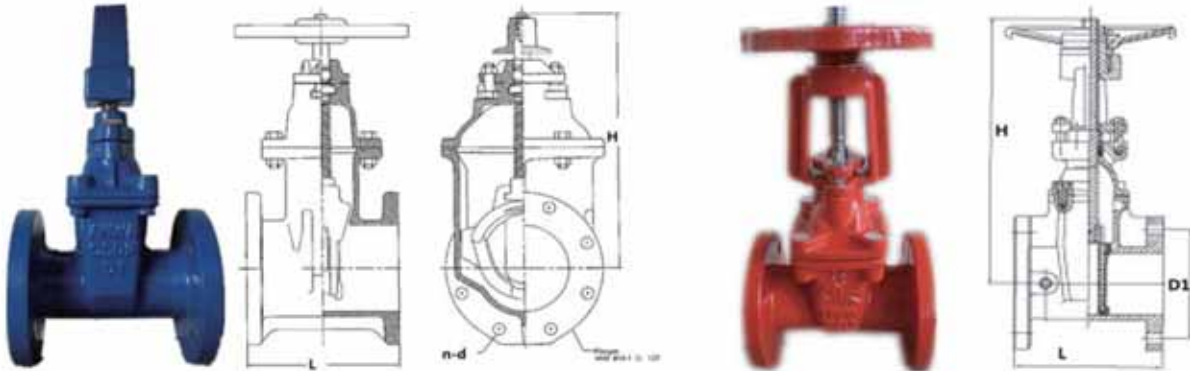
Size(DN)	15	20	25	32	40	50	65	80	100	125	150	200	250	300	350	400
L(screwed)	85	100	120	140	160	205										
L(flanged)	130	150	160	180	200	230	290	310	350	400	480	600	730	850	980	1100



TIANJIN FUTURE VALVE CO., LTD.

ANSI VALVE SERIES 美标系列

AWWA C509/C515 resilient seated gate valve 美标软密封闸阀



Non-ring stem gate valve 暗杆闸阀

OS & Y gate valve (ring stem gate valve) 明杆闸阀

Main parts and materials 主要部件材料

Parts name 部件名称	Material 材料
Body, bonnet 阀体, 阀盖	Ductile iron 球铁
Disc 阀板	Ductile iron with NBR/EPDM/FPM 球铁包胶
Stem 阀杆	Stainless/Brass 不锈钢/黄铜

Standards 标准

Design and Manufacture 设计和制造标准	Face to face 结构长度	Flanged end 法兰标准	Inspection 测试标准
AWWA C509/C515	ANSI B16.10	ANSI B16.1/B16.42	AWWA C509

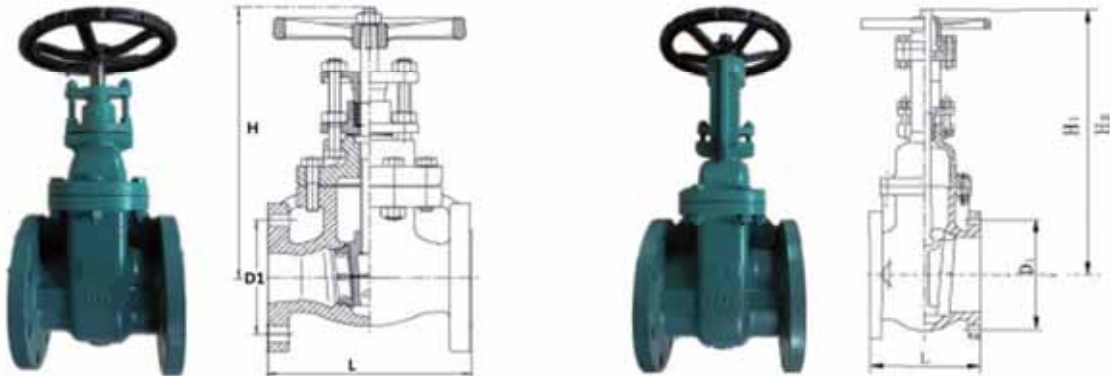
Test 测试

Nominal pressure 公称压力 (PSI)	Shell test 强度试验 (PSI)	Seal test 密封试验 (PSI)
125/150	350/450	200/250

Dimensions 尺寸 (Units 单位: mm 毫米)

NPS(inch)	1.5	2	2.5	3	4	5	6	8	10	12	14	16	18	20	24
L	165	178	190	203	229	254	267	292	330	356	381	406	432	457	508
D1	98.5	120.7	139.7	152.4	190.5	215.9	241.3	298.5	362.0	431.8	476.3	539.8	577.9	635.0	749.3
n-d	4-16	4-19	4-19	4-19	8-19	8-22	8-22	8-22	12-25	12-25	12-29	16-29	16-32	20-32	20-35
H(Non-ring)	236	255	280	300	340	410	440	520	610	700	880	990	1120	1220	1370
H-open(Ring)	260	285	340	390	450	530	600	810	930	1080	1150	1300	1450	1580	1700

ANSI 125LB metal-seal gate valve 美标硬密封闸阀



Non-ring stem gate valve 暗杆闸阀

OS & Y gate valve (ring stem gate valve) 明杆闸阀

Main parts and materials 主要部件材料

Parts name 部件名称	Material 材料
Body, bonnet 阀体, 阀盖	Cast iron 灰铁
Disc 阀板	Cast iron + Bronze B62/Brass B16/Stainless Steel 2Cr13 铸铁+青铜/黄铜/不锈钢
Stem 阀杆	Stainless/Brass 不锈钢/黄铜
Seat ring 阀座密封	Bronze B62/Brass B16/Stainless Steel 2Cr13 青铜/黄铜/不锈钢

Standards 标准

Design and Manufacture 设计和制造标准	Face to face 结构长度	Flanged end 法兰标准
MSS SP-70	ANSI B16.10	ANSI B16.1/B16.42

Test 测试

Nominal pressure 公称压力 (PSI)	Shell test 强度试验 (PSI)	Seal test 密封试验 (PSI)
125	350	200

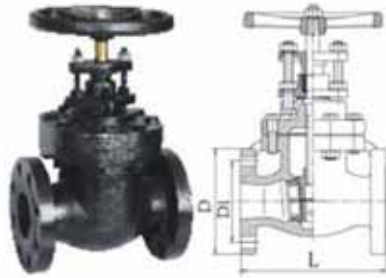
Dimensions 尺寸 (Units 单位: mm 毫米)

NPS(inch)	1.5	2	2.5	3	4	5	6	8	10	12	14
L	165	178	190	203	229	254	267	292	330	356	381
D1	98.5	120.7	139.7	152.4	190.5	215.9	241.3	298.5	362.0	431.8	476.3
n-d	4-16	4-19	4-19	4-19	8-19	8-22	8-22	8-22	12-25	12-25	12-29
H(Non-ring)	253	288	305	337	414	457	526	613	900	1100	1260
H-open(Ring)	345	375	408	442	545	656	770	959	1255	1443	1727



TIANJIN FUTURE VALVE CO., LTD.

ANSI gate valve & globe valve 美标闸阀和截止阀



250LB Non-ring stem gate valve 暗杆闸阀



250LB OS & Y gate valve (ring stem gate valve) 明杆闸阀



125LB screwed OS & Y gate valve (ring stem gate valve) 旋扣明杆闸阀

Main parts and materials 主要部件材料

Parts name 部件名称	Material 材料
Body, bonnet 阀体, 阀盖	Cast iron 灰铁
Disc 阀板	250LB: Steel or Bronze B62/Brass B16/Stainless Steel 2Cr13 铸钢+青铜/黄铜/不锈钢
Stem 阀杆	125LB: Stainless Steel 2Cr13/黄铜
Seat ring 阀座密封	125LB: Bronze B62/Brass B16/Stainless Steel 2Cr13 青铜/黄铜/不锈钢

Standards 标准

Design and Manufacture 设计和制造标准	Face to face 结构长度	Flanged end 法兰标准
MSS SP-70(SP-85 for angle globe valve)	ANSI B16.10	ANSI B16.1

Test 测试

Nominal pressure 公称压力 (PSI)	Shell test 强度试验 (PSI)	Seal test 密封试验 (PSI)
125/250	350/875	200/500

Dimensions 尺寸 for gate valves (Units 单位: mm 毫米)

NPS(inch)	2	2.5	3	4	6	8	10	12
L	216	241	282	305	403	419	457	502
D	165	191	210	254	318	381	445	520
D1	127	149	168	200	270	330	387	451
L(screw end)	137	168	178	203				

Dimensions 尺寸 for globe valves (Units 单位: mm 毫米)

NPS(inch)	2	2.5	3	4	5	6	8	10
L(125LB)	203	216	240	292	330	355	495	622
L(250LB)	267	292	318	356	445	553		
D(125LB)	152	178	190	229	254	279	343	406
D(250LB)	165	191	210	254	318	381		
D1(125LB)	121	140	153	191	216	242	299	362
D1(250LB)	127	149	168	200	235	270		
L(angle type)	137	357	441	545				



125/250LB globe valve 美标125/250截止阀 125LB angle globe valve 角式截止阀

ANSI Y strainer 美标过滤器

Main parts and materials 主要部件材料

Parts name 部件名称	Material 材料
Body, bonnet 阀体, 阀盖	Cast iron 灰铁
Filter 过滤网	Stainless Steel 不锈钢

Test 测试

Nominal pressure 公称压力 (PSI)	Shell test 强度试验 (PSI)	Seal test 密封试验 (PSI)
125	350	200

Dimensions 尺寸 (Units 单位: mm 毫米)

Size	NPS(INCH)	0.5	0.75	1	1.25	1.5	2	2.5	3	4	5	6	8	10	12	14	16	18	20	24
DN	15	20	25	32	40	50	65	80	100	125	150	200	250	300	350	400	450	500	600	
L	130	150	160	180	200	225	273	292	352	391	470	543	660	762	949	1079	1168	1275	1450	
D	89	98	108	117	127	152	178	191	229	254	279	343	406	483	533	597	635	699	813	
D1	60.5	70	79.5	89	98.5	121	140	153	191	216	242	299	362	432	476	540	578	635	749	
Z-d	4-16	4-16	4-16	4-16	4-19	4-19	4-19	4-19	8-22	8-22	8-22	8-22	12-25	12-25	12-29	16-29	16-32	20-32	20-35	



ANSI ball valve 美标球阀

Main parts and materials 主要部件材料

Parts name 部件名称	Material 材料
Body 阀体	Cast iron 灰铁
Stem, ball 阀杆, 球体	Stainless Steel 不锈钢
Seal 密封	PTFE/RPTFE

Standards 标准

Design and Manufacture 设计和制造标准	Face to face 结构长度	Flanged end 法兰标准	Inspection 测试标准
MSS SP-72	ANSI B16.10	ANSI B16.1	API598

Test 测试

Nominal pressure 公称压力 (PSI)	Shell test 强度试验 (PSI)	Seal test 密封试验 (PSI)
125	350	200

Dimensions 尺寸 (Units 单位: mm 毫米)

Size	NPS(INCH)	0.5	0.75	1	1.25	1.5	2	2.5	3	4	5	6	8	10
DN	15	20	25	32	40	50	65	80	100	125	150	200	250	
L	108	117	127	140	165	178	191	203	229	254	267	292	330	
D	89	98	108	117	127	152	178	191	229	254	279	343	406	
D1	60.5	70	79.5	89	98.5	121	140	153	191	216	242	299	362	





ANSI swing check valve 美标旋启式止回阀



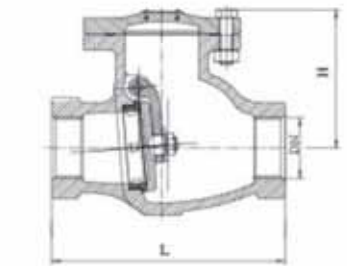
125LB swing check valve
美标125磅旋启式止回阀



125LB weighted swing check valve
美标125磅带锤旋启式止回阀



250LB swing check valve
美标250磅旋启式止回阀



125LB screwed swing check valve
美标125磅丝扣旋启式止回阀

Main parts and materials 主要部件材料

Parts name 部件名称	Material 材料
Body, bonnet 阀体, 阀盖	Cast iron 灰铁
Disc 阀板	Cast iron + Bronze B62/Brass B16/Stainless Steel 2Cr13 铸铁+青铜/黄铜/不锈钢
Seat ring 阀座密封	Bronze B62/Brass B16/Stainless Steel 2Cr13 青铜/黄铜/不锈钢

Standards 标准

Design and Manufacture 设计和制造标准	Face to face 结构长度	Flanged end 法兰标准
MSS SP-71	ANSI B16.10	ANSI B16.1

Test 测试

Nominal pressure 公称压力 (PSI)	Shell test 强度试验 (PSI)	Seal test 密封试验 (PSI)
125/250	350/875	200/500

Dimensions 尺寸 (Units 单位: mm 毫米)

NPS(inch)	2	2.5	3	4	5	6	8	10	12
L(125LB)	203	216	241	292	330	356	495	622	699
L(250LB)	267	292	318	356	---	445	553	---	---
D(125LB)	152	178	191	229	254	279	343	406	483
D(250LB)	165	191	210	254	---	318	381	---	---
D1(125LB)	121	140	153	191	216	242	299	362	432
D1(250LB)	127	149	168	200	---	235	270	---	---
L(screw end)	156	184	203	235	---	---	---	---	---

GOST plug valve 俄标旋塞阀

Main parts and materials 主要部件材料

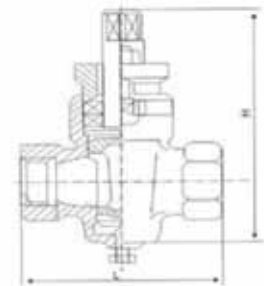
Parts name 部件名称	Material 材料
Body, Gland 阀体, 压盖	Cast iron 铸铁
Plug 旋塞	Cast iron/Brass 铸铁/黄铜

Test 测试

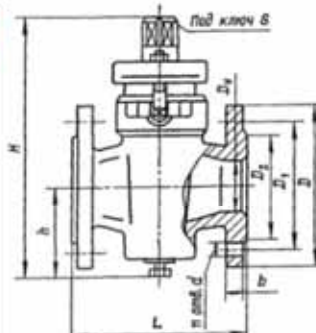
Nominal pressure 公称压力 (MPa)	Shell test 强度试验 (MPa)	Seal test 密封试验 (MPa)
1.0	1.5	1.10

Dimensions 尺寸 (Units 单位: mm 毫米)

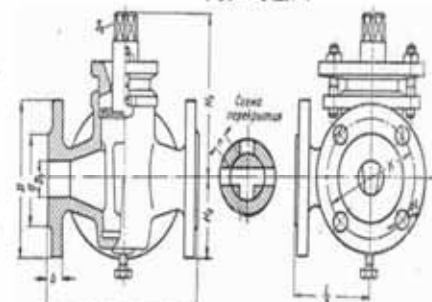
Size	L		Flanged					Screwed	
	2-way	3-way	H	D	D1	n-Ød	L	H	
DN15	---	---	---	---	---	---	80	85	
DN20	90	145	87.5	105	75	4-14	90	90	
DN25	110	145	110	115	85	4-14	110	118	
DN32	130	170	117	135	100	4-18	130	120	
DN40	150	180	157	145	110	4-18	150	160	
DN50	170	200	180	160	125	4-18	170	180	
DN65	220	230	190	180	145	4-18	---	---	
DN80	250	260	237	195	160	4-18	---	---	
DN100	300	300	257	215	180	8-18	---	---	
DN125	350	350	356	245	210	8-18	---	---	
DN150	400	400	383	280	240	8-22	---	---	
DN200	480	480	410	340	295	8-22	---	---	
DN250	535	530	430	395	350	12-22	---	---	



11466k screwed plug valve
丝扣旋塞阀



11486k 2-way plug valve
二通法兰旋塞阀



114186k 3-way plug valve
三通法兰旋塞阀



TIANJIN FUTURE VALVE CO., LTD.

30c66p GOST Py10 cast iron gate valve 俄标铸铁闸阀

Main parts and materials 主要部件材料

Parts name 部件名称	Material 材料
Body, Bonnet 阀体, 阀盖	Cast iron 铸铁
Stem 阀杆	Carbon steel+zinc 碳钢镀锌
Disc 闸板	Cast iron+brass 铸铁堆焊黄铜

Test 测试

Nominal pressure 公称压力 (MPa)	Shell test 强度试验 (MPa)	Seal test 密封试验 (MPa)
1.0	1.5	1.10

Dimensions 尺寸 (Units 单位: mm 毫米)

Size	L	H	D	D1	n-Ød	Weight(kg)
DN50	180	245	160	125	4-18	10
DN65	195	270	180	145	4-18	12
DN80	210	310	195	160	8-18	17
DN100	230	352	215	180	8-18	21
DN125	255	400	245	210	8-18	34
DN150	280	465	280	240	8-22	42
DN200	330	560	335	295	8-22	69
DN250	450	825	390	350	12-22	126
DN300	500	1040	440	400	12-22	175
DN400	600	1200	565	515	16-26	320
DN500	700	1400	670	620	20-26	530



30c41HЖ GOST Py16 cast steel gate valve 俄标铸钢闸阀

Main parts and materials 主要部件材料

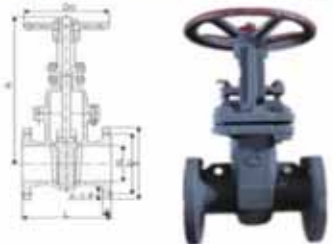
Parts name 部件名称	Material 材料
Body, Bonnet 阀体, 阀盖	Cast steel 铸钢
Stem 阀杆	Stainless steel 不锈钢
Disc 闸板	Cast steel+D507 铸钢堆焊不锈钢

Test 测试

Nominal pressure 公称压力 (MPa)	Shell test 强度试验 (MPa)	Seal test 密封试验 (MPa)
1.6	2.4	1.76

Dimensions 尺寸 (Units 单位: mm 毫米)

Size	L	H	D1	Z-Ød
DN50	180	288	125	4-18
DN65	195	290	145	4-18
DN80	210	343	160	8-18
DN100	230	392	180	8-18
DN125	255	430	210	8-18
DN150	280	560	240	8-22
DN200	330	696	295	12-22
DN250	450	825	355	12-22
DN300	500	1040	310	16-22



GOST diaphragm valve 俄标隔膜阀

Main parts and materials 主要部件材料

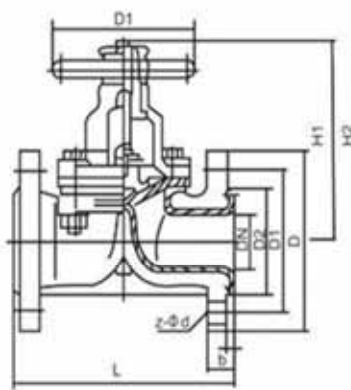
Parts name 部件名称	Material 材料
Body, Bonnet 阀体, 阀盖	CU/CS/SS 铸铜/铸钢/不锈钢
Stem 阀杆	CS/SS 碳钢/不锈钢
Lining 衬里	Rubber/FEP(F46)/PCTFE(F3)/PTFE(F4)/PO/Enamelled
Diaphragm 隔膜片	FEP(F46)/PTFE+Rubber

Test 测试

Nominal pressure 公称压力 (MPa)	Shell test 强度试验 (MPa)	Seal test 密封试验 (MPa)
0.6/1.0	0.9/1.5	0.76/1.1

Dimensions 尺寸 (Units 单位: mm 毫米)

Size	L	Py6/PN6			Py10/PN10		
		D	D1	Z-d	D	D1	Z-d
DN15	125	80	55	4-12	95	65	4-14
DN20	135	90	65	4-12	105	75	4-14
DN25	145	100	75	4-12	115	85	4-14
DN32	160	120	90	4-14	135	100	4-18
DN40	180	130	100	4-14	145	110	4-18
DN50	210	140	110	4-14	160	125	4-18
DN65	250	160	130	4-14	180	145	4-18
DN80	300	185	150	4-18	195	160	4-18
DN100	350	205	170	4-18	215	180	8-18
DN125	400	235	200	8-18	245	210	8-18
DN150	460	260	225	8-18	280	240	8-23
DN200	570	315	280	8-18	335	295	8-23
DN250	680	370	335	12-18	390	350	12-23
DN300	790	435	395	12-23	440	400	12-23
DN350	900	485	445	12-23	500	460	16-23



15c76n2M lined PTFE
衬氟隔膜阀



15c913M lined enamelled
搪瓷隔膜阀



TIANJIN FUTURE VALVE CO., LTD.

GOST Py16 cast iron globe valve 俄标铸铁截止阀

Main parts and materials 主要部件材料

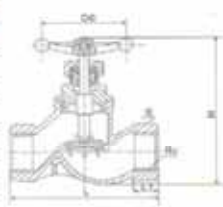
Parts name 部件名称	Material 材料
Body, Bonnet 阀体, 阀盖	Cast iron 铸铁
Stem 阀杆	Carbon steel+zinc 碳钢镀锌
Disc 阀板	Cast iron+brass/PTFE 铸铁堆焊黄铜或四氟垫

Test 测试

Nominal pressure 公称压力 (MPa)	Shell test 强度试验 (MPa)	Seal test 密封试验 (MPa)
1.6	2.4	1.76

Dimensions for screwed globe valve 苏式丝扣截止阀尺寸 (Units 单位: mm 毫米)

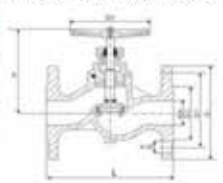
Size	L	L1	D0	H	Rc	S
DN15	90	12	52	94	0.5	31
DN20	100	14	60	107	0.75	37
DN25	120	16	68	127	1	46
DN32	140	18	80	148	1.25	55
DN40	170	22	88	170	1.5	62
DN50	200	24	96	192	2	75
DN65	210	26	105	262	2.5	83



15x18n CI screwed globe valve
铸铁苏式丝扣截止阀

Dimensions for square flanged globe valve 方盘法兰截止阀尺寸 (Units 单位: mm 毫米)

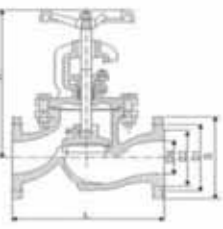
Size	L	D0	H	D	D1	n-Ød
DN25	120	68	127	115	85	4-14
DN32	140	80	148	135	100	4-18
DN40	170	88	170	145	110	4-18
DN50	200	96	192	160	125	4-18



15x19n CI flanged globe valve
铸铁方盘法兰截止阀

Dimensions for flanged globe valve 法兰截止阀尺寸 (Units 单位: mm 毫米)

Size	L	H	D	D1	n-Ød
DN65	290	325	180	145	4-18
DN80	310	369	195	160	4-18
DN100	350	370	230	190	8-18
DN125	400	558	270	220	8-18
DN150	480	611	300	250	8-22
DN200	600	721	360	310	12-22
DN250	622	741	425	370	12-26
DN300	698	820	485	430	12-26



15ch14p(15x14n)
CI flanged globe valve
铸铁法兰截止阀

GOST cast/stainless steel globe valve 俄标铸钢/不锈钢截止阀

Main parts and materials 主要部件材料

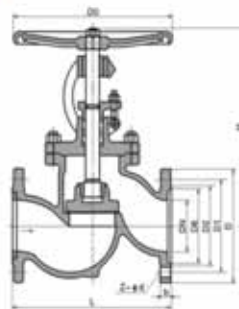
Parts name 部件名称	Material 材料
Body, Bonnet 阀体, 阀盖	Cast/Stainless steel 铸钢/不锈钢
Stem 阀杆	Stainless steel 不锈钢
Disc 阀板	Cast/Stainless steel 铸钢/不锈钢

Test 测试

Nominal pressure 公称压力 (MPa)	Shell test 强度试验 (MPa)	Seal test 密封试验 (MPa)
1.6/2.5/4.0	2.4/3.75/6.0	1.76/2.75/4.4

Dimensions 尺寸 (Units 单位: mm 毫米)

Size	Py16/PN16				Py25/PN25				Py40/PN40			
	L	D	D1	Z-d	L	D	D1	Z-d	L	D	D1	Z-d
DN10	130	90	60	4-14	130	90	60	4-14	130	90	60	4-14
DN15	130	95	65	4-14	130	95	65	4-14	130	95	65	4-14
DN20	150	105	75	4-14	150	105	75	4-14	150	105	75	4-14
DN25	160	115	85	4-14	160	115	85	4-14	160	115	85	4-14
DN32	180	135	100	4-18	180	135	100	4-18	180	135	100	4-18
DN40	200	145	110	4-18	200	145	110	4-18	200	145	110	4-18
DN50	230	160	125	4-18	230	160	125	4-18	230	160	125	4-18
DN65	290	180	145	4-18	290	180	145	8-18	290	180	145	8-18
DN80	310	195	160	8-18	310	195	160	8-18	310	195	160	8-18
DN100	350	215	180	8-18	350	230	190	8-23	350	230	190	8-23
DN125	400	245	210	8-18	400	270	220	8-25	400	270	220	8-25
DN150	480	280	240	8-23	480	300	250	8-25	480	300	250	8-25
DN200	600	335	295	12-23	600	360	310	12-25	600	375	320	12-30
DN250	650	405	355	12-23	650	425	370	12-30				
DN300	750	460	410	12-23	750	485	430	12-30				



15c65нж CS globe valve
铸钢截止阀



15нж656к SS globe valve
不锈钢截止阀



GOST Py16 cast iron check valve 俄标铸铁止回阀

Main parts and materials 主要部件材料

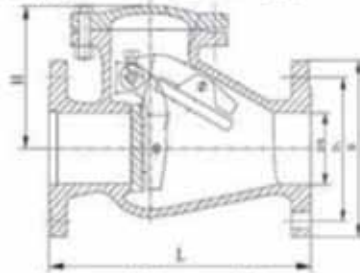
Parts name 部件名称	Material 材料
Body, Bonnet 阀体, 阀盖	Cast iron 铸铁
Disc 阀板	Cast iron+brass/PTFE 铸铁堆焊黄铜或四氟毡

Test 测试

Nominal pressure 公称压力 (MPa)	Shell test 强度试验 (MPa)	Seal test 密封试验 (MPa)
1.6	2.4	1.76

Dimensions for swing check valve 旋启止回阀尺寸 (Units 单位: mm 毫米)

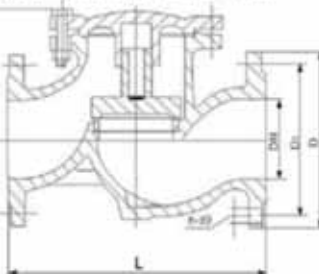
Size	L	H	D	D1	n-Ød
DN40	165	109	145	110	4-18
DN50	203	135	160	125	4-18
DN65	216	145	180	145	4-18
DN80	241	156	195	160	8-18
DN100	292	170	215	180	8-18
DN125	330	206	245	210	8-18
DN150	356	214	280	240	8-22
DN200	495	280	340	295	12-22
DN250	622	300	395	350	12-22
DN300	698	352	445	400	12-22



194166p CI swing check valve
铸铁旋启止回阀

Dimensions for lift check valve 升降止回阀尺寸 (Units 单位: mm 毫米)

Size	L	H	D	D1	n-Ød
DN40	200	86	145	110	4-18
DN50	230	92	165	125	4-18
DN65	290	102	185	145	4-18
DN80	310	118	200	160	8-18
DN100	350	121	220	180	8-18
DN125	400	164	250	210	8-18
DN150	480	190	285	240	8-22
DN200	600	228	340	295	12-22
DN250	622	242	405	355	12-26
DN300	698	280	460	410	12-26



16ch6p(1646n) CI lift check valve
铸铁升降止回阀

GOST cast/stainless steel check valve 俄标铸钢止回阀

Main parts and materials 主要部件材料

Parts name 部件名称	Material 材料
Body, Bonnet 阀体, 阀盖	Cast/Stainless steel 铸钢/不锈钢
Stem 阀杆	Stainless steel 不锈钢
Disc 阀板	Cast/Stainless steel 铸钢/不锈钢

Test 测试

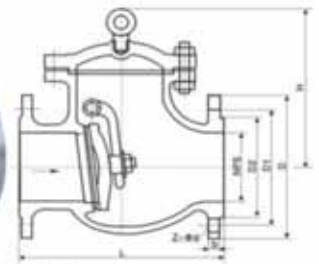
Nominal pressure 公称压力 (MPa)	Shell test 强度试验 (MPa)	Seal test 密封试验 (MPa)
1.6/2.5/4.0	2.4/3.75/6.0	1.76/2.75/4.4

Dimensions 尺寸 (Units 单位: mm 毫米)

Size	Py16/PN16				Py25/PN25				Py40/PN40			
	L	D	D1	Z-d	L	D	D1	Z-d	L	D	D1	Z-d
DN50	230	160	125	4-18	230	160	125	4-18	230	160	125	4-18
DN65	290	180	145	4-18	290	180	145	8-18	290	180	145	8-18
DN80	310	195	160	8-18	310	195	160	8-18	310	195	160	8-18
DN100	350	215	180	8-18	350	230	190	8-23	350	230	190	8-23
DN125	400	245	210	8-18	400	270	220	8-25	400	270	220	8-25
DN150	480	280	240	8-23	480	300	250	8-25	480	300	250	8-25
DN200	500	335	295	12-23	550	360	310	12-25	550	375	320	12-30
DN250	550	405	355	12-25	650	425	370	12-30	650	445	385	12-34
DN300	650	460	410	12-25	750	485	430	16-30	750	510	450	16-34
DN350	750	520	470	16-25	850	550	490	16-34	850	570	510	16-34
DN400	850	580	525	16-30	950	610	550	16-34	950	655	585	16-41



CS/SS swing check valve
铸钢/不锈钢旋启止回阀

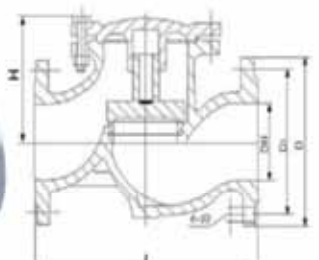


Dimensions 尺寸 (Units 单位: mm 毫米)

Size	Py16/PN16				Py25/PN25				Py40/PN40			
	L	D	D1	Z-d	L	D	D1	Z-d	L	D	D1	Z-d
DN15	130	95	65	4-14	130	95	65	4-14	130	95	65	4-14
DN20	150	105	75	4-14	150	105	75	4-14	150	105	75	4-14
DN25	160	115	85	4-14	160	115	85	4-14	160	115	85	4-14
DN32	180	135	100	4-18	180	135	100	4-18	180	135	100	4-18
DN40	200	145	110	4-18	200	145	110	4-18	200	145	110	4-18
DN50	230	160	125	4-18	230	160	125	4-18	230	160	125	4-18
DN65	290	180	145	4-18	290	180	145	8-18	290	180	145	8-18
DN80	310	195	160	8-18	310	195	160	8-18	310	195	160	8-18
DN100	350	215	180	8-18	350	230	190	8-23	350	230	190	8-23
DN125	400	245	210	8-18	400	270	220	8-25	400	270	220	8-25
DN150	480	280	240	8-23	480	300	250	8-25	480	300	250	8-25
DN200	600	335	295	12-23	600	360	310	12-25	600	375	320	12-30
DN250	730	405	355	12-23	730	425	370	12-30	730	445	385	12-34
DN300	850	460	410	12-23	850	485	430	16-30	850	510	450	12-34



CS/SS lift check valve
铸钢/不锈钢升降止回阀





TIANJIN FUTURE VALVE CO., LTD.

11c41n GOST cast/stainless steel ball valve 俄标铸钢/不锈钢球阀

Main parts and materials 主要部件材料

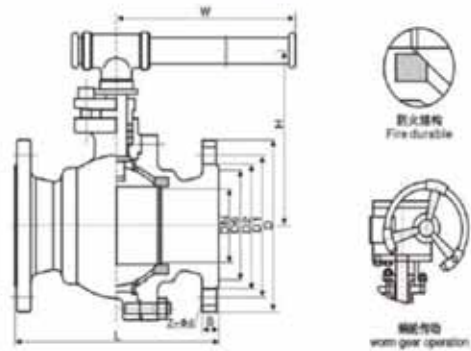
Parts name 部件名称	Material 材料
Body, Bonnet 阀体, 阀盖	Cast/Stainless steel 铸钢/不锈钢
Stem, ball 阀杆, 球体	Stainless steel 不锈钢
Seal 密封	PTFE 聚四氟乙烯

Test 测试

Nominal pressure 公称压力 (MPa)	Shell test 强度试验 (MPa)	Seal test 密封试验 (MPa)
1.6/2.5/4.0	2.4/3.75/6.0	1.76/2.75/4.4

Dimensions 尺寸 (Units 单位: mm 毫米)

Size	Py16/PN16				Py25/PN25				Py40/PN40			
	L	D	D1	Z-d	L	D	D1	Z-d	L	D	D1	Z-d
DN15	130	95	65	4-14	130	95	65	4-14	130	95	65	4-14
DN20	140	105	75	4-14	140	105	75	4-14	140	105	75	4-14
DN25	150	115	85	4-14	150	115	85	4-14	150	115	85	4-14
DN32	165	135	100	4-18	165	135	100	4-18	180	135	100	4-18
DN40	180	145	110	4-18	180	145	110	4-18	200	145	110	4-18
DN50	200	160	125	4-18	200	160	125	4-18	220	160	125	4-18
DN65	220	180	145	4-18	220	180	145	8-18	250	180	145	8-18
DN80	250	195	160	8-18	250	195	160	8-18	280	195	160	8-18
DN100	280	215	180	8-18	280	230	190	8-23	320	230	190	8-23
DN125	320	245	210	8-18	320	270	220	8-25	400	270	220	8-25
DN150	360	280	240	8-18	360	300	250	8-25	403	300	250	8-25
DN200	400	335	295	12-23	400	360	310	12-25	502	375	320	12-30
DN250	533	405	355	12-25	533	425	370	12-30	568	445	385	12-34



11c67n GOST all-welded ball valve 俄标全焊接球阀

Main parts and materials 主要部件材料

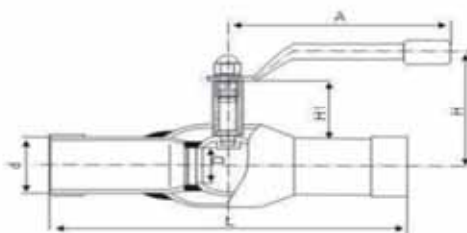
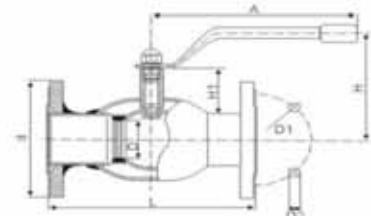
Parts name 部件名称	Material 材料
Body 阀体	Carbon/Stainless steel 碳钢/不锈钢
Stem, ball 阀杆, 球体	Stainless steel 不锈钢
Seal 密封	PTFE+C 碳强化聚四氟乙烯

Test 测试

Nominal pressure 公称压力 (MPa)	Shell test 强度试验 (MPa)	Seal test 密封试验 (MPa)
1.6/2.5/4.0	2.4/3.75/6.0	1.76/2.75/4.4

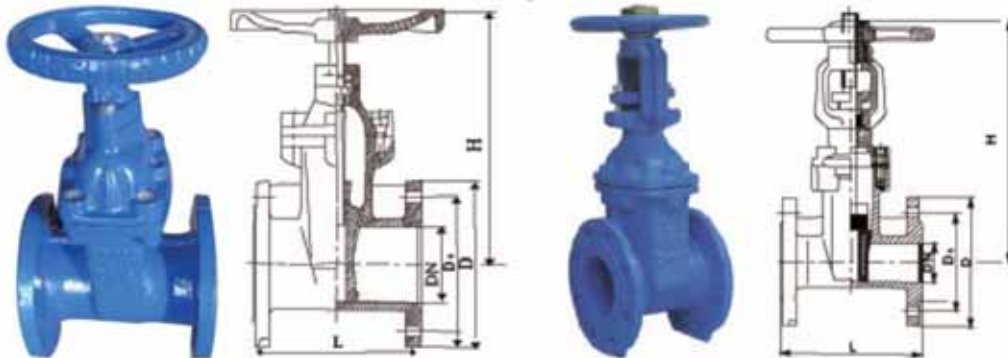
Dimensions 尺寸 (Units 单位: mm 毫米)

PN	Size	Butt-Welding Ball Valve						Flanged End All Welded Ball Valve					
		L	A	H	D	d	H1	L	A	H	D	D1	n-Ød
40	DN15	230	120	100	10	21	22	130	120	100	95	65	4-14
	DN20	230	120	100	15	27	23	150	120	100	105	75	4-14
	DN25	230	160	105	20	34	24	160	160	105	115	85	4-14
	DN32	260	160	105	25	42	34	180	160	105	140	100	4-18
	DN40	260	190	125	32	48	33	200	190	125	150	110	4-18
	DN50	300	190	130	40	60	43	230	190	130	165	125	4-18
25	DN65	300	280	180	50	76	44	270	280	180	185	145	4-18
	DN80	300	280	190	65	89	62	280	280	190	200	160	8-18
	DN100	325	280	220	80	114	68	300	280	220	220	180	8-18
	DN125	325	420	245	100	140	101	325	420	245	250	210	8-18
	DN150	350	600	265	125	168	107	350	600	265	285	240	8-22
	DN200	400	870	273	150	219	123	400	870	273	340	295	12-22
	DN250	530	---	---	200	273	---	530	---	---	273	355	12-26
DN300	550	---	---	250	325	---	550	---	---	325	410	12-26	





BS 5163 resilient seated gate valve 英标软密封闸阀



Main parts and materials 主要部件材料

Parts name 部件名称	Material 材料
Body, bonnet 阀体, 阀盖	Ductile iron 球铁
Disc 闸板	Ductile iron with NBR/EPDM/FPM 球铁包胶
Stem 闸杆	Stainless 不锈钢

Standards 标准

Design and Manufacture 设计和制造标准	Face to face 结构长度	Flanged end 法兰标准	Inspection 测试标准
BS5163	BS5163	EN1092/ISO7005-2	BS5163/ISO5208

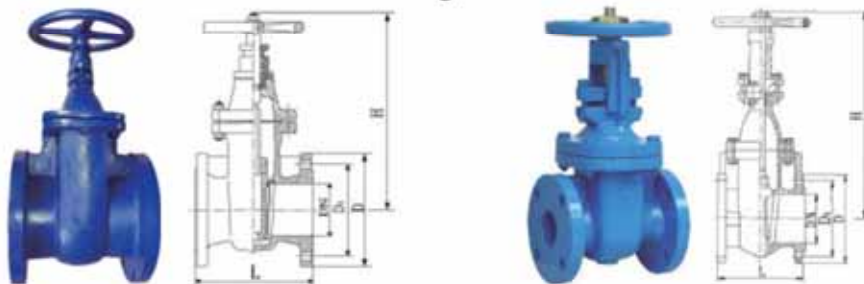
Test 测试

Nominal pressure 公称压力 (MPa)	Shell test 强度试验 (MPa)	Seal test 密封试验 (MPa)
1.0/1.6	1.5/2.4	1.1/1.76

Dimensions 尺寸 (Units 单位: mm 毫米)

Size	NPS(INCH)	DN															
		1.5	2	2.5	3	4	5	6	8	10	12	14	16	18	20	24	
L		165	178	190	203	229	254	267	292	330	356	381	406	432	457	508	
H(Non-ring)		236	255	280	300	340	410	440	520	610	700	880	990	1120	1220	1370	
H-open(Ring)		260	285	340	390	450	530	600	810	930	1080	1150	1300	1450	1580	1700	
D	1.0MPa	150	165	185	200	220	250	285	340	395	445	505	565	615	670	780	
	1.6Mpa									405	460	520	580	640	715	840	
D1	1.0MPa	110	125	145	160	180	210	240	295	350	400	460	515	565	620	725	
	1.6Mpa									355	410	470	525	585	650	770	

BS 5163 metal-seal gate valve 英标硬密封闸阀



Main parts and materials 主要部件材料

Parts name 部件名称	Material 材料
Body, bonnet 阀体, 阀盖	Cast iron 灰铁
Disc 闸板	Cast iron + Bronze B62/Brass B16/Stainless Steel 2Cr13 铸铁+青铜/黄铜/不锈钢
Stem 闸杆	Stainless/Brass 不锈钢/黄铜
Seat ring 阀座密封	Bronze B62/Brass B16/Stainless Steel 2Cr13 青铜/黄铜/不锈钢

Standards 标准

Face to face 结构长度	Flanged end 法兰标准
BS5163/BS5150	BS table E or D/BS4504

Test 测试

Nominal pressure 公称压力 (MPa)	Shell test 强度试验 (MPa)	Seal test 密封试验 (MPa)
1.0/1.6	1.5/2.4	1.1/1.76

Dimensions 尺寸 (Units 单位: mm 毫米)

Size	NPS(INCH)	DN															
		1.5	2	2.5	3	4	5	6	8	10	12	14	16	18	20	24	
L		165	178	190	203	229	254	267	292	330	356	381	406	432	457	508	
H(Non-ring)		236	255	280	300	340	410	440	520	610	700	880	990	1120	1220	1370	
H-open(Ring)		260	285	340	390	450	530	600	810	930	1080	1150	1300	1450	1580	1700	
D	1.0MPa	150	165	185	200	220	250	285	340	395	445	505	565	615	670	780	
	1.6Mpa									405	460	520	580	640	715	840	
D1	1.0MPa	110	125	145	160	180	210	240	295	350	400	460	515	565	620	725	
	1.6Mpa									355	410	470	525	585	650	770	



BS 5153 swing check valve 英标旋启式止回阀

Main parts and materials 主要部件材料

Parts name 部件名称	Material 材料
Body, bonnet, disc 阀体, 阀盖, 阀板	Cast iron/Ductile iron 灰铁/球铁
Seat ring 阀座密封	Brass/Stainless 黄铜/不锈钢

Standards 标准

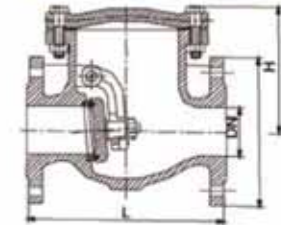
Face to face 结构长度	Flanged end 法兰标准
BS5153	BS table E or D/BS4504

Test 测试

Nominal pressure 公称压力 (MPa)	Shell test 强度试验 (MPa)	Seal test 密封试验 (MPa)
1.0/1.6	1.5/2.4	1.1/1.76

Dimensions 尺寸 (Units 单位: mm 毫米)

Size	NPS(INCH)	1.5	2	2.5	3	4	5	6	8	10	12
	DN	40	50	65	80	100	125	150	200	250	300
L		165	203	216	241	292	330	356	495	622	698
H		127	130	135	148	180	205	230	258	391	427



BS Y strainer 英标过滤器

Main parts and materials 主要部件材料

Parts name 部件名称	Material 材料
Body, bonnet 阀体, 阀盖	Cast iron/ductile iron 灰铁/球铁
Filter 过滤网	Stainless Steel 不锈钢

Standards 标准

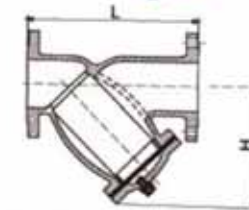
Face to face 结构长度	Flanged end 法兰标准
BS2080	BS table E or D/BS4504

Test 测试

Nominal pressure 公称压力 (MPa)	Shell test 强度试验 (MPa)	Seal test 密封试验 (MPa)
1.0/1.6	1.5/2.4	1.1/1.76

Dimensions 尺寸 (Units 单位: mm 毫米)

Size	NPS(INCH)	2	2.5	3	4	5	6	8	10	12
	DN	50	65	80	100	125	150	200	250	300
L		220	270	290	350	390	440	540	660	720
H		120	140	170	220	260	300	360	440	525



Socket ends resilient seated gate valve 承插式软密封闸阀

Main parts and materials 主要部件材料

Parts name 部件名称	Material 材料
Body, bonnet 阀体, 阀盖	Ductile iron 球铁
Disc 闸板	Ductile iron with NBR/EPDM/FPM 球铁包胶
Stem 闸杆	Stainless 不锈钢

Standards 标准

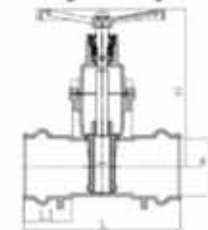
Design and Manufacture 设计和制造标准	Face to face 结构长度	Inspection 测试标准
DIN 3352/SABS 664	DIN3202 F5/SABS 664	ISO5208

Test 测试

Nominal pressure 公称压力 (MPa)	Shell test 强度试验 (MPa)	Seal test 密封试验 (MPa)
1.6	2.4	1.76

Dimensions 尺寸 (Units 单位: mm 毫米)

Size	NPS(INCH)	2	2.5	3	4	5	6	8	10	12
	DN	50	65	80	100	125	150	200	250	300
L(F5)		250	270	280	300	325	325	350	400	450
L(SABS 664)		335	335	335	335	375	375	405	450	500
L1		77	80	84	88	91	91	94	100	125
H(handle)		300	310	350	380	420	420	470	590	680
H(square head)		340	350	390	420	460	460	510	630	720



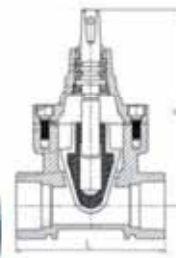
Service connection valve 丝扣软密封闸阀

Main parts and materials 主要部件材料

Parts name 部件名称	Material 材料
Body, bonnet 阀体, 阀盖	Ductile iron 球铁
Disc 闸板	Ductile iron with NBR/EPDM/FPM 球铁包胶
Stem 闸杆	Stainless 不锈钢

Dimensions 尺寸 (Units 单位: mm 毫米)

Size	NPS(INCH)	0.5	0.75	1	1.25	1.5	2
	DN	15	20	25	32	40	50
L		134	134	134	134	160	167
H		185	185	185	185	190	210





10K resilient seated gate valve 日标韩标10K标软密封闸阀

Main parts and materials 主要部件材料

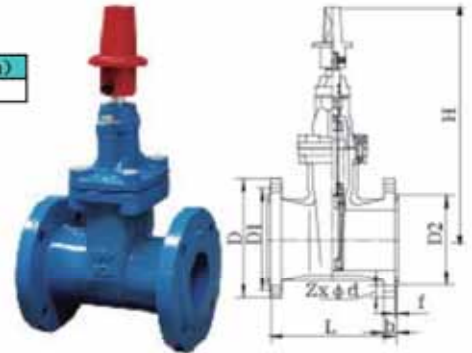
Parts name 部件名称	Material 材料
Body, bonnet 阀体, 阀盖	Ductile iron 球铁
Disc 闸板	Ductile iron with NBR/EPDM/FPM 球铁包胶
Stem 闸杆	Stainless 不锈钢

Test 测试

Nominal pressure 公称压力	Shell test 强度试验 (MPa)	Seal test 密封试验 (MPa)
10K	1.72	0.74

Dimensions 尺寸 (Units 单位: mm 毫米)

Size	NPS(INCH)	2	3	4	5	6	8	10	12
	DN	50A	80A	100A	125A	150A	200A	250A	300A
L		180	240	250	260	280	300	380	400
H		299	377	413	469	509	609	712	790
b-f		20-2	24-3	25-3	25-3	26-3	27-3	29-3	31-4
D		155	200	220	250	285	340	395	445
D1		120	160	180	210	240	295	350	400
D2		100	133	153	183	209	264	319	367
Z x Ød		4-19	8-19	8-19	8-23	8-23	12-23	12-25	16-25



10K Y strainer 日标韩标10K过滤器

Main parts and materials 主要部件材料

Parts name 部件名称	Material 材料
Body, bonnet 阀体, 阀盖	Cast iron 灰铁
Filter 过滤网	Stainless 不锈钢

Standards 标准

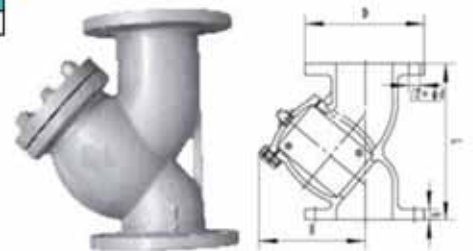
Design and Manufacture 设计和制造标准	Flanged end 法兰标准	Inspection 测试标准
KS B 1538	JIS B2031/B2212/KS B1511	KS B 2304

Test 测试

Nominal pressure 公称压力	Shell test 强度试验 (MPa)	Seal test 密封试验 (MPa)
10K	2.1	1.6

Dimensions 尺寸 (Units 单位: mm 毫米)

Size	NPS(INCH)	1.5	2	2.5	3	4	5	6	8	10	12	14	16	20
	DN	40A	50A	65A	80A	100A	125A	150A	200A	250A	300A	350A	400A	500A
L		195	195	205	252	277	307	335	475	660	750	810	905	1100
H		97	98	117	169	187	207	247	325	514	605	646	723	900
b		17	17	18	19	20	21	21	22	30	32	34	36	40



10K metal-seal gate valve 日标韩标10K硬密封闸阀



Non-ring stem gate valve 暗杆闸阀



OS & Y gate valve (ring stem gate valve) 明杆闸阀

Main parts and materials 主要部件材料

Parts name 部件名称	Material 材料
Body, bonnet 阀体, 阀盖	Cast iron 灰铁
Disc 闸板	Cast iron + Brass 铸铁+黄铜
Stem 闸杆	Stainless/Brass 不锈钢/黄铜

Standards 标准

Design and Manufacture 设计和制造标准	Face to face 结构长度	Flanged end 法兰标准	Inspection 测试标准
KS B 2350	JIS B2031/B2002/KS B2306	JIS B2031/B2212/KS B1511	KS B 2304

Test 测试

Nominal pressure 公称压力	Shell test 强度试验 (MPa)	Seal test 密封试验 (MPa)
10K	2.1	1.6

Dimensions 尺寸 (Units 单位: mm 毫米)

Size	NPS(INCH)	1.5	2	2.5	3	4	5	6	8	10	12	14	16	18	20	24
	DN	40A	50A	65A	80A	100A	125A	150A	200A	250A	300A	350A	400A	450A	500A	600A
L		180	180	190	200	230	250	270	290	330	350	460	490	526	554	620
H(Non-ring)		249	262	286	325	382	417	455	559	674	780	925	1087	1170	1365	1585
H-open(Ring)		317	343	390	452	537	621	718	920	1113	1308	1195	1367	1498	1710	2129
D		140	155	175	185	210	250	280	330	400	445	490	560	620	675	795
b		20	20	22	22	24	24	26	26	30	32	34	36	38	40	44
Z x Ød		4-19	4-19	4-19	8-19	8-19	8-23	8-23	12-23	12-25	16-25	16-25	16-27	20-27	20-27	24-33



10K swing check valve 日标韩标旋启式止回阀

Main parts and materials 主要部件材料

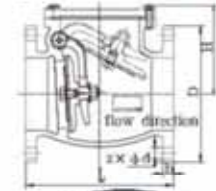
Parts name 部件名称	Material 材料
Body, bonnet 阀体, 阀盖	Cast iron 灰铁
Disc 阀板	Cast iron + EPDM/NBR 铸铁包胶
Seat ring 阀座密封	Brass 黄铜

Test 测试

Nominal pressure 公称压力	Shell test 强度试验 (MPa)	Seal test 密封试验 (MPa)
10K	2.1	1.6

Dimensions 尺寸 (Units 单位: mm 毫米)

Size	NPS(INCH)	1.5	2	2.5	3	4	5	6	8	10	12	14	16	20
	DN	40A	50A	65A	80A	100A	125A	150A	200A	250A	300A	350A	400A	500A
L		190	190	190	215	245	285	295	390	500	540	570	780	820
H		101	102	113	118	133	155	182	206	269	333	381	450	537



10K globe valve 日标韩标截止阀

Main parts and materials 主要部件材料

Parts name 部件名称	Material 材料
Body, bonnet 阀体, 阀盖	Cast iron 灰铁
Disc 阀板	Cast iron + Brass 铸铁+黄铜
Stem 阀杆	Stainless steel/brass 不锈钢/黄铜
Seat ring 阀座密封	Brass 黄铜

Standards 标准

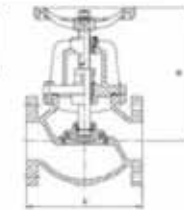
Design and Manufacture 设计和制造标准	Face to face 结构长度	Flanged end 法兰标准	Inspection 测试标准
KS B 2350	JIS B2031/B2002/KS B2306	JIS B2031/B2212/KS B1511	KS B2304

Test 测试

Nominal pressure 公称压力	Shell test 强度试验 (MPa)	Seal test 密封试验 (MPa)
10K	2.1	1.6

Dimensions 尺寸 (Units 单位: mm 毫米)

Size	NPS(INCH)	1.5	2	2.5	3	4	5	6	8	10	12
	DN	40A	50A	65A	80A	100A	125A	150A	200A	250A	300A
L		190	200	220	240	290	360	410	500	620	700
H		249	263	300	309	363	437	490	590	618	691



10K vertical check valve 日标韩标立式止回阀

Main parts and materials 主要部件材料

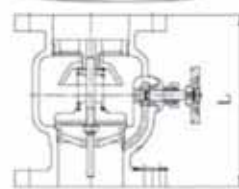
Parts name 部件名称	Material 材料
Body, bonnet 阀体, 阀盖	Cast iron 灰铁
Disc 阀板	Cast iron + Brass 铸铁+黄铜
Stem 阀杆	Stainless steel/brass 不锈钢/黄铜
Seat ring 阀座密封	Brass 黄铜

Test 测试

Nominal pressure 公称压力	Shell test 强度试验 (MPa)	Seal test 密封试验 (MPa)
10K	2.1	1.6

Dimensions 尺寸 (Units 单位: mm 毫米)

Size	NPS(INCH)	1.5	2	2.5	3	4	5	6	8	10	12
	DN	40A	50A	65A	80A	100A	125A	150A	200A	250A	300A
L		162	183	195	210	215	255	275	390	410	495



10K ball valve 日标韩标球阀

Main parts and materials 主要部件材料

Parts name 部件名称	Material 材料
Body 阀体	Cast iron 灰铁
Ball/Stem 球体/阀杆	Stainless steel 不锈钢
Seat ring 阀座密封	PTFE 聚四氟乙烯

Standards 标准

Face to face 结构长度	Flanged end 法兰标准	Inspection 测试标准
KS B 2306	JIS B2031/B2212/KS B1511	KS B 2304

Test 测试

Nominal pressure 公称压力	Shell test 强度试验 (MPa)	Seal test 密封试验 (MPa)
10K	2.1	1.6

Dimensions 尺寸 (Units 单位: mm 毫米)

Size	NPS(INCH)	1.5	2	2.5	3	4	5	6	8
	DN	40A	50A	65A	80A	100A	125A	150A	200A
L		165	180	190	200	230	265	277	340

