



RASAI

SLEEVED PLUG VALVES

About Ourselves

RASAI is an International Company. Founded in 1981, Rasai Flow Lines has been engaged in design, Manufacture and Distribution of High Tech Valves.

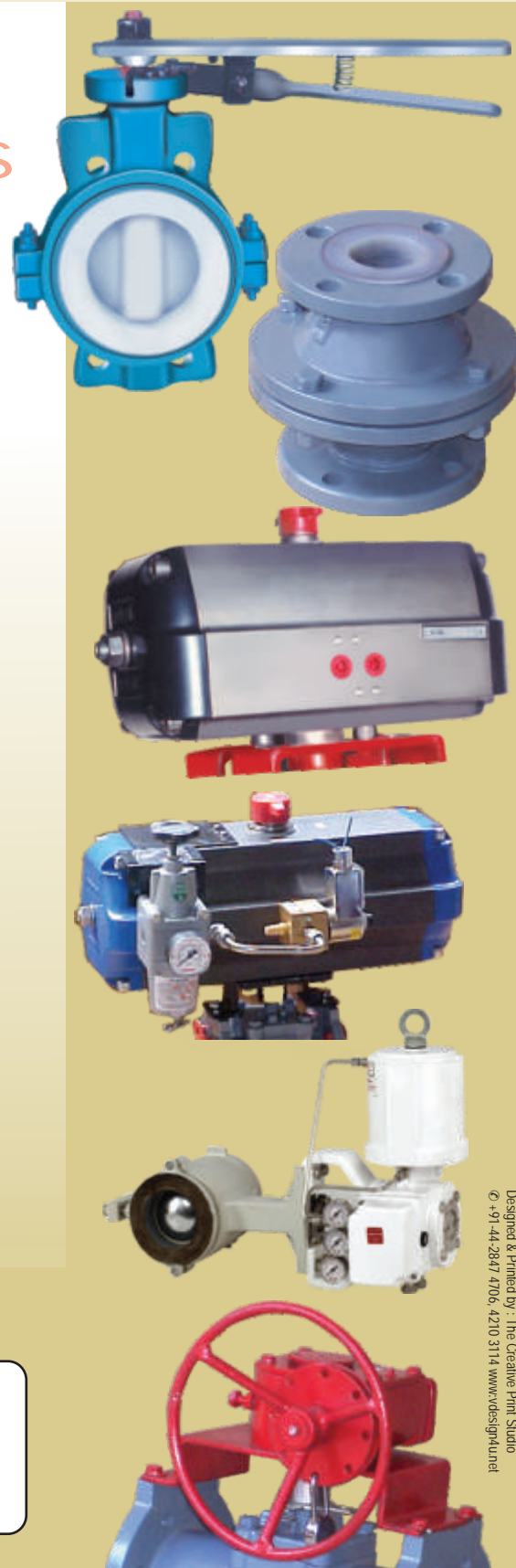
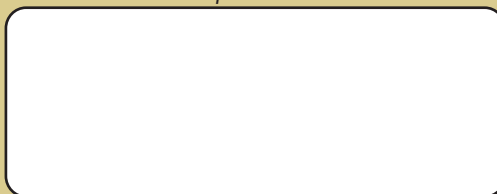
Over the last 20 years, RASAI has been providing its Valves for various end - uses and applications in refineries, petrochemicals, fertilizers, sugar, paper, steel, cement, chemical and pharmaceutical industries as well as in power plants around the world.

RASAI's design and engineering are novel and unique and conform to international standards and specifications. Our products are tested for various standards and ratings and are superior in quality.



ISO 9001 : 2008

Our Distributor / Representative :



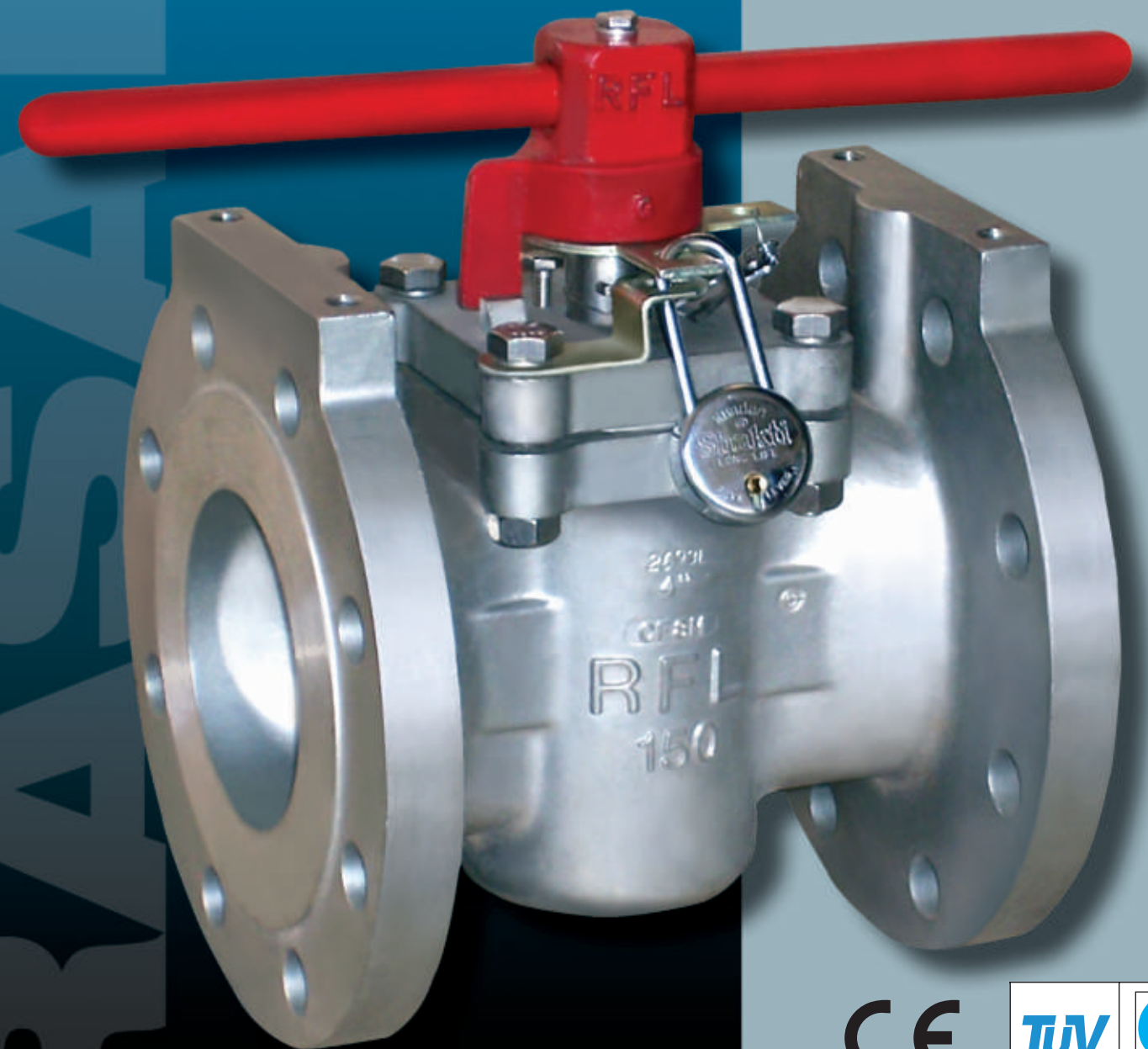
Designed & Printed by : The Creative Print Studio
© +91-44-2847 4706, 4210 3114 www.rasaiindia.com



RASAI

SLEEVED PLUG VALVES

MATCHLESS IN QUALITY AND VALUE



**Most Efficient, Non-Lubricated,
Corrosion Resisting, Self-Sealing and Long Lasting.**

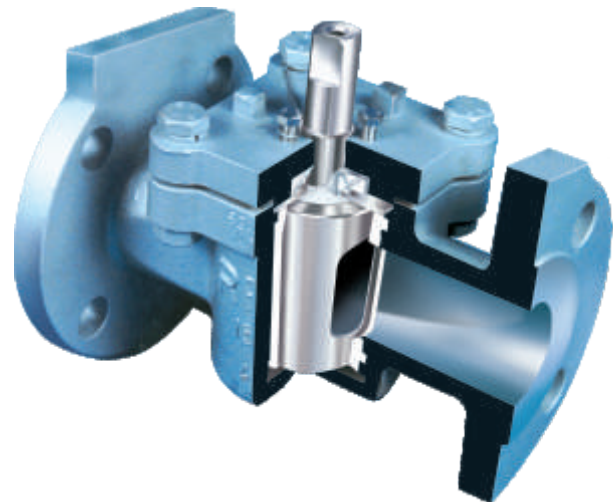


ISO 9001 : 2008

Manufactured by :

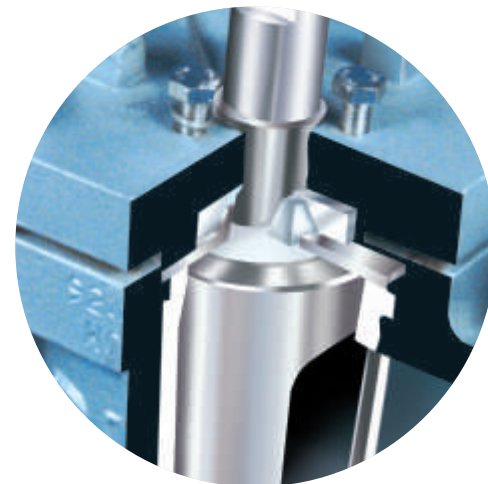
RASAI FLOW LINES

34, NEW STREET, MADUVANKARAI,
GUINDY, CHENNAI 600 032, INDIA.
Tel: + 91-44-2244 7285, + 91-44-2245 7658
Fax: + 91-44-2244 7616
Email: rfi@md2.vsnl.net.in
URL: www.rflexport.com



CoComponents

- Body / Cover See Page No 7
- Plug PTFE
- Sleeve PTFE
- Diaphragm And Wedge Ring PTFE
- Metal Diaphragm SS 316
- Thrust Collar SS 316
- Washer PTFE
- Studs & Nut B7 & 2H / SS 316



DIAPHRAGM AND WEDGE RING EXPOSED VIEW

Options Available

- Both ANSI 150# And 300#
- Fully Jacketed
- Partially Jacketed
- Flanged End
- Butt Weld
- Socket Weld
- 3-way
- 3-way Jacketed
- 4-way

Design Features

- Valves up to 4" in investment casting.
- 6" and above made out of Sand or Shell Casting.
- Superior Finish and longer life of valve body.
- Bi-directional flow.
- Positive shut-off with inline adjustment.
- Positive stem seal with reverse lip design.
- Inline PTFE sleeve surrounds the plug.
- PTFE sleeve locked in the body and field replaceable, on line.
- Designed for throttling.
- Unique plug and body design for low torque operation.
- Non-Lubricated, self-cleaning of plugs while in operation.
- Zero leakage (Bubble tight shut-off).
- Easy assembling and disassembling.
- Technologically superior design, our speciality.
- Cost effective and top value for your dollar.
- Proven performance.
- Self sealing.

RASAI SLEEVED PLUG VALVES WITH IMPECCABLE PERFORMANCE!

Material and Specifications:

Refer to page 7,

How to order RASAI sleeved plug valves ?

For Class 150#

| Size | Break - Away Torque in Lbs (Nm) | Flow Rate (Value) | |
|-------|---------------------------------|-------------------|-----------|
| | | Cv | Kv |
| 1/2 | 15 | 192 (25.5) | 9.5 11 |
| 3/4 | 20 | 192 (25.5) | 9.5 11 |
| 1 | 25 | 308 (35) | 42 49 |
| 1 1/2 | 40 | 460 (52) | 95 112 |
| 2 | 50 | 630 (71) | 190 224 |
| 3 | 80 | 965 (110) | 326 384 |
| 4 | 100 | 1450 (165) | 694 816 |
| 6 | 150 | 3820 (370) | 1112 1308 |
| 8 | 200 | 6366 (721) | 1665 1960 |

Torque

- Start - Break - Away Torque
- Running - 60% of B.A.T
- Close - 80% of B.A.T
- To obtain - Kv Value multiply Cv Value by 0.85



4 inch Class 300# plug valve with gear box on special request.

VALVE TYPE

| | |
|--------|---|
| SPV | SLEEVED PLUG VALVE |
| SPV PJ | PJSLEEVED PLUG VALVE PARTIALLY JACKETED |
| SPV FJ | FJSLEEVED PLUG VALVE FULLY JACKETED |

PRESSURE CLASS

| | |
|---|------|
| 1 | 150# |
| 3 | 300# |
| 6 | 600# |

BODY / END PIECE MATERIAL

| | |
|----|-----------------|
| 01 | CI |
| 02 | DI |
| 03 | WCB |
| 04 | SS 316 (CF8M) |
| 05 | SS 316L (CF3M) |
| 06 | CD4Mcu |
| 07 | ALLOY 20 (CN7M) |
| 08 | Hastalloy ' B' |
| 09 | Hastalloy ' C' |
| 10 | Monel 400 |
| 11 | SS 304 (CF8) |
| 12 | SS 304L (CF3) |
| 13 | LCB |
| 14 | NI CKEL CZ 100 |
| 15 | 904 L |

PLUG

| | |
|----|-----------------|
| 02 | DI |
| 03 | WCB |
| 04 | SS 316 (CF8M) |
| 05 | SS 316L (CF3M) |
| 06 | CD4Mcu |
| 07 | ALLOY 20 (CN7M) |
| 08 | Hastalloy ' B' |
| 09 | Hastalloy ' C' |
| 10 | Monel 400 |
| 11 | SS 304 (CF8) |
| 12 | SS 304L (CF3) |
| 13 | LCB |
| 14 | NI CKEL CZ 100 |
| 15 | 904 L |

LINING

| | | |
|---|-------------|-------------------------------|
| N | NO LINING * | *Created to Balance Part Nos. |
|---|-------------|-------------------------------|

OPERATION

| | |
|---|---------------------|
| W | WRENCH OPERATED |
| G | GEAR OPERATED |
| P | PNEUMATIC OPERATED |
| E | ELECTRICAL ACTUATOR |

END CONNECTION

| | |
|----|-------------|
| FE | FLANGED END |
| SE | SCREWED END |
| BW | BUTT WELD |
| SW | SOCKET WELD |
| 3W | 3 WAY |
| 4W | 4 WAY |

SIZES

| SIZES | INCHES | MM |
|-------|--------|-----|
| 0050 | 1/2 | 15 |
| 0075 | 3/4 | 20 |
| 0100 | 1" | 25 |
| 0150 | 1 1/2" | 40 |
| 0200 | 2" | 50 |
| 0300 | 3" | 80 |
| 0400 | 4" | 100 |
| 0600 | 6" | 150 |
| 0800 | 8" | 200 |
| 1000 | 10" | 250 |
| 1200 | 12" | 300 |
| 1400 | 14" | 350 |
| 1600 | 16" | 400 |

Easy Method of Ordering Using Part Numbers

EXAMPLE *

| | |
|--------------------|------|
| Sleeved plug valve | SPV |
| Class 300# | 3 |
| WCB Body | 03 |
| SS 316 Plug | 04 |
| No lining | N |
| Wrench Operated | W |
| Flanged End | FE |
| Size 1 1/2" | 0150 |

For easy method of Ordering use the chart and use the part numbers specified above.

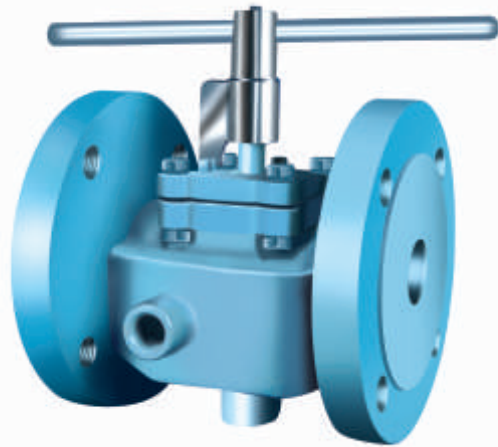
*Example: SPV30304NWFE0150

SLEEVED PLUG VALVE, CLASS 300#, BODY - WCB, PLUG-SS316, SLEEVE-N(NO LINING) WRENCH OPERATED, END CONNECTION - FLANGED END, SIZE - 1 1/2"

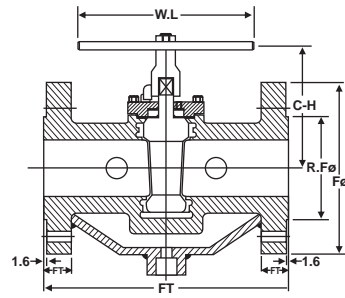
Note

Available in both ANSI class 150# & 300# & DIN and BS standards. Special alloy valves are also available upon request. Pressure tested to standard API 598/6755 Part -1 and design code BS 5353

Fully Jacketed Valve



- Fully jacketed valve is specially designed for circulation of hot or cold gas or liquids.
- Design permits through hydrostatic or pneumatic testing of the body prior to addition of jacket.
- Proven performance in critical temperature control applications.
- Multiple connections allow for proper jacket drainage.
- Fully jacketed sleeved plug valve is the chosen preference for complex fluid applications.
- Over-sized flange in accordance with international standards.
- Can withstand up to 270°C temperature.
- Anti-static eliminator is a standard feature in RASAI valves.



British Unit

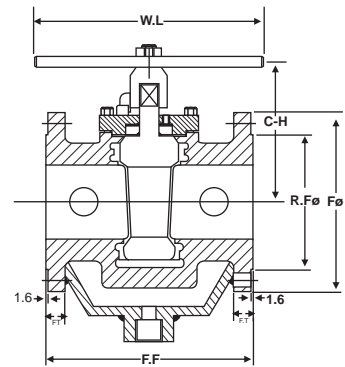
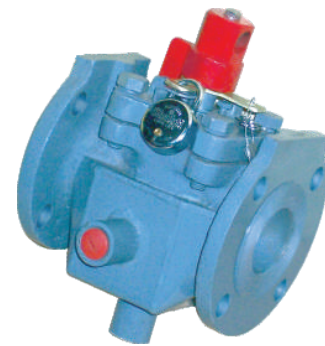
all dimensions in inches

| Si ze | F-F | | FØ | | F. T | | RFØ | RFT | P. C. D | | NOH | | SOH | | C-H | | 3-WAY C. H. | |
|---------|-------|-------|-------|-------|-------|------|-------|-----|---------|-------|-------|------|-------|------|-------|-------|-------------|-------|
| | CLASS | | CLASS | | CLASS | | | | CLASS | | CLASS | | CLASS | | CLASS | | CLASS | |
| | 150# | 300# | 150# | 300# | 150# | 300# | | | 150# | 300# | 150# | 300# | 150# | 300# | 150# | 300# | 150# | 300# |
| ½x 1 | 5.00 | 6.50 | 4.25 | 4.88 | .44 | .69 | 2.00 | .06 | 3.13 | 3.50 | 4 | 4 | .63 | .75 | 3.25 | 3.25 | 3.50 | 3.75 |
| ¾x 1 | 5.00 | 6.50 | 4.25 | 4.88 | .44 | .69 | 2.00 | .06 | 3.13 | 3.50 | 4 | 4 | .63 | .75 | 3.25 | 3.25 | 3.50 | 3.75 |
| 1 x 2 | 7.00 | 8.50 | 6.00 | 6.50 | .63 | .88 | 3.63 | .06 | 4.75 | 5.00 | 4 | 8 | .75 | .75 | 4.50 | 4.50 | 4.50 | 4.75 |
| 1½x 2½ | 8.00 | 11.13 | 7.50 | 8.25 | .75 | 1.13 | 4.13 | .06 | 5.50 | 5.88 | 4 | 8 | .75 | .88 | 4.75 | 4.75 | 5.13 | 5.56 |
| 2 x 3 | 8.00 | 11.13 | 7.50 | 8.25 | .75 | 1.13 | 5.00 | .06 | 6.00 | 6.63 | 4 | 8 | .75 | .88 | 5.00 | 5.00 | 5.13 | 5.56 |
| 3 x 4 | 9.00 | 12.00 | 9.00 | 10.00 | .94 | 1.25 | 6.19 | .06 | 7.50 | 7.88 | 8 | 8 | .75 | .88 | 6.10 | 6.10 | 6.00 | 6.75 |
| 4 x 6 | 10.50 | 15.88 | 11.00 | 12.50 | 1.00 | 1.44 | 8.50 | .06 | 9.50 | 10.63 | 8 | 12 | .88 | .88 | 7.75 | 7.75 | 7.50 | 8.50 |
| 6 x 8 | 11.50 | 16.50 | 13.50 | 15.00 | 1.13 | 1.63 | 10.63 | .06 | 11.75 | 13.00 | 8 | 12 | .88 | 1.00 | 9.50 | 9.50 | 9.00 | 10.00 |
| 8 x 10 | 13.00 | 18.00 | 16.00 | 17.50 | 1.19 | 1.88 | 12.75 | .06 | 14.25 | 15.25 | 12 | 16 | 1.00 | 1.13 | 11.00 | 11.00 | 11.00 | 12.00 |
| 10 x 12 | 14.00 | 19.75 | 19.00 | 20.50 | 1.25 | 2.00 | 15.00 | .06 | 17.00 | 17.75 | 12 | 16 | 1.00 | 1.25 | 12.50 | 12.50 | | |
| 12 x 14 | 15.00 | 30.00 | 21.00 | 23.00 | 1.38 | 2.12 | 16.25 | .06 | 18.75 | 20.25 | 12 | 20 | 1.13 | 1.25 | 13.00 | 13.00 | | |

Partially Jacketed Valve



- Designed in compliance with international standards.
- Design portion extends up to body level only with normal flanges.
- Anti-static eliminator is a standard feature in RASAI valves.
- F-F Dimensions and Flange Diameter will vary to that of Fully Jacketed type.
- Total height of the valve including handle cup will differ.



British Unit

all dimensions in inches

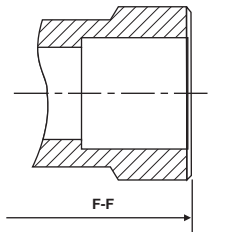
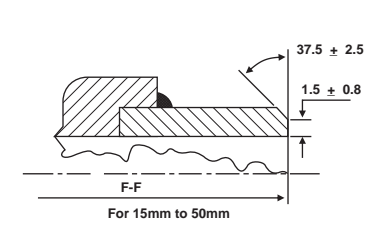
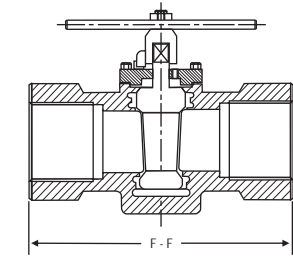
| Si ze | F-F | | FØ | | F. T | | RFØ | RFT | P. C. D | | NOH | | SOH | | C-H | | SWAY C. H. | |
|-------|-------|-------|-------|-------|-------|------|-------|-----|---------|-------|-------|------|-------|------|-------|-------|------------|-------|
| | CLASS | | CLASS | | CLASS | | | | CLASS | | CLASS | | CLASS | | CLASS | | | |
| | 150# | 300# | 150# | 300# | 150# | 300# | | | 150# | 300# | 150# | 300# | 150# | 300# | 150# | 300# | | |
| 1 | 5.00 | 6.50 | 4.25 | 4.88 | .44 | .69 | 2.00 | .06 | 3.13 | 3.50 | 4 | 4 | .63 | .75 | 3.25 | 3.25 | 3.50 | 3.75 |
| 1½ | 6.50 | 7.50 | 5.00 | 6.13 | .56 | .81 | 2.88 | .06 | 3.88 | 4.50 | 4 | 4 | .63 | .88 | 3.75 | 3.75 | 4.13 | 4.38 |
| 2 | 7.00 | 8.50 | 6.00 | 6.50 | .63 | .88 | 3.63 | .06 | 4.75 | 5.00 | 4 | 8 | .75 | .75 | 4.50 | 4.50 | 4.50 | 4.75 |
| 2½ | 8.00 | 11.13 | 7.50 | 8.25 | .75 | 1.13 | 4.13 | .06 | 5.50 | 5.88 | 4 | 8 | .75 | .88 | 4.75 | 4.75 | 5.13 | 5.50 |
| 3 | 8.00 | 11.13 | 7.50 | 8.25 | .75 | 1.13 | 5.00 | .06 | 6.00 | 6.63 | 4 | 8 | .75 | .88 | 5.00 | 5.00 | 5.13 | 5.50 |
| 4 | 9.00 | 12.00 | 9.00 | 10.00 | .94 | 1.25 | 6.19 | .06 | 7.50 | 7.88 | 8 | 8 | .75 | .88 | 6.10 | 6.10 | 6.00 | 6.77 |
| 6 | 10.50 | 15.88 | 11.00 | 12.50 | 1.00 | 1.44 | 8.50 | .06 | 9.50 | 10.63 | 8 | 12 | .88 | .88 | 7.75 | 7.75 | 7.50 | 8.50 |
| 8 | 11.50 | 16.50 | 13.50 | 15.00 | 1.13 | 1.63 | 10.63 | .06 | 11.75 | 13.00 | 8 | 12 | .88 | 1.00 | 9.50 | 9.50 | 9.00 | 10.00 |
| 10 | 13.00 | 18.00 | 16.00 | 17.50 | 1.19 | 1.88 | 12.75 | .06 | 14.25 | 15.25 | 12 | 16 | 1.00 | 1.13 | 11.00 | 11.00 | 11.00 | 12.00 |



Screwed End

Butt Weld

Socket Weld



Screwed end:

Both straightway screwed end and 3-way screwed end valves are available upon request. Class 150 and 300 wrench standard is maintained for all valves.

| SI ZE | . 5 | . 75 | 1 | 1. 5 | 2 |
|-------|-------|-------|-------|------|------|
| F-F | 3. 25 | 3. 25 | 4. 63 | 5. 5 | 6. 5 |

| SI ZE | 15 | 20 | 25 | 40 | 50 |
|-------|--------|--------|--------|--------|--------|
| F-F | 82. 55 | 82. 55 | 117. 6 | 139. 7 | 165. 1 |

Socket Weld:

Welding is possible without disassembling of the valve. Welding of ductile iron is not recommended. Manufactured in compliance with ANSI B16.11

| SI ZE | . 5 | . 75 | 1 | 1. 5 | 2 |
|-------|-------|-------|-------|------|------|
| F-F | 3. 25 | 3. 25 | 4. 63 | 5. 5 | 6. 5 |

| SI ZE | 15 | 20 | 25 | 40 | 50 |
|-------|--------|--------|--------|--------|--------|
| F-F | 82. 55 | 82. 55 | 117. 6 | 139. 7 | 165. 1 |

Butt weld:

Valves 6" through 12" are gear operated. Butt weld valves are machined to match schedule 40 (ANSI) piping system unless specified.

| SI ZE | . 5 | . 75 | 1 | 1. 5 | 2 |
|-------|-----|------|----|--------|----|
| F-F | 11 | 11 | 12 | 12. 50 | 13 |

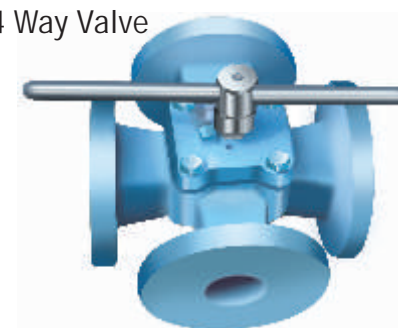
| SI ZE | 15 | 20 | 25 | 40 | 50 |
|-------|-----|-----|-----|-----|-----|
| F-F | 280 | 280 | 300 | 320 | 340 |

British Unit - all dimensions in inches, Metric Unit - all dimensions in millimetres.

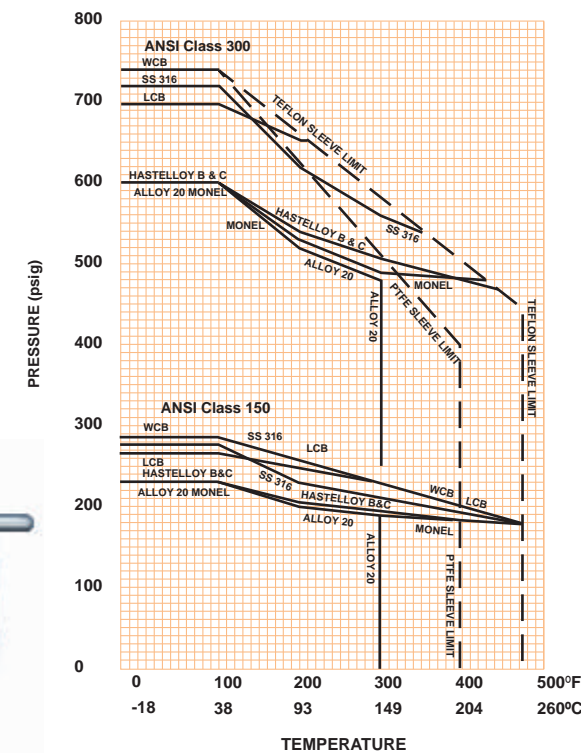
D Type Plug



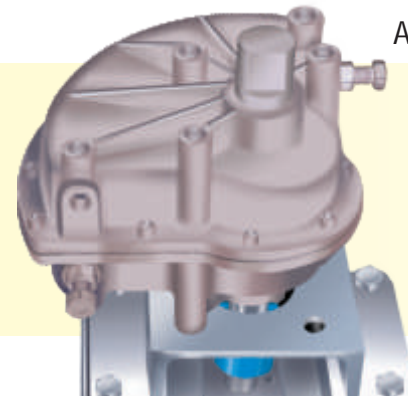
4 Way Valve



PRESSURE - TEMPERATURE RATINGS



| PLUG | POSITION 0° | POSITION 90° | POSITION 180° | |
|------|-------------|--------------|---------------|--------|
| | | | | FLOW 1 |
| | | | | FLOW 2 |
| | | | | FLOW 3 |
| | | | | FLOW 4 |
| | | | | FLOW 5 |
| | | | | FLOW 6 |
| | | | | FLOW 7 |
| | | | | FLOW 8 |



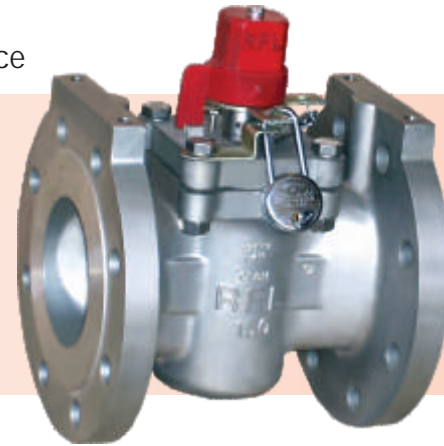
Vane Type Actuator

Actuator Mounting (Pneumatic Actuator)

RASAI offers actuator mounting for sleeved plug valves to suit customers' requirements. We offer mounting provisions with actuator mounting brackets, with necessary holes pre drilled for easy mounting of pneumatic actuators. The actuator style number to be specified at the time of ordering the valve. Trouble free on/off operation of valve through pneumatic actuators is assured. The valves are tailor-made according to customer's preference.

Sleeved plug valve with locking device

Sleeved Plug Valves with locking device is also our specialty. RASAI provides only the provision for locking device, not the locks themselves, this ensures protection of valves from any unauthorized operation.



Rotary Mounting

RASAI offers rotary mountings for sleeved plug valves to suit customers' requirements. We offer mounting provisions with rotary mounting brackets, with necessary holes pre drilled for easy mounting of rotary actuator. Actuator style to be specified at the time of ordering. The valve is tailor-made according to customers' preference.

RASAI can also offer electrical actuator mountings for sleeved plug valve to suit customers' requirements. We offer mounting provisions with electrical actuator mounting brackets, with necessary holes pre drilled for easy mounting of electrical actuators. Electrical Actuator model is to be specified at the time of ordering the valve. Trouble free on/off operation of the valves through electrical actuator is assured.

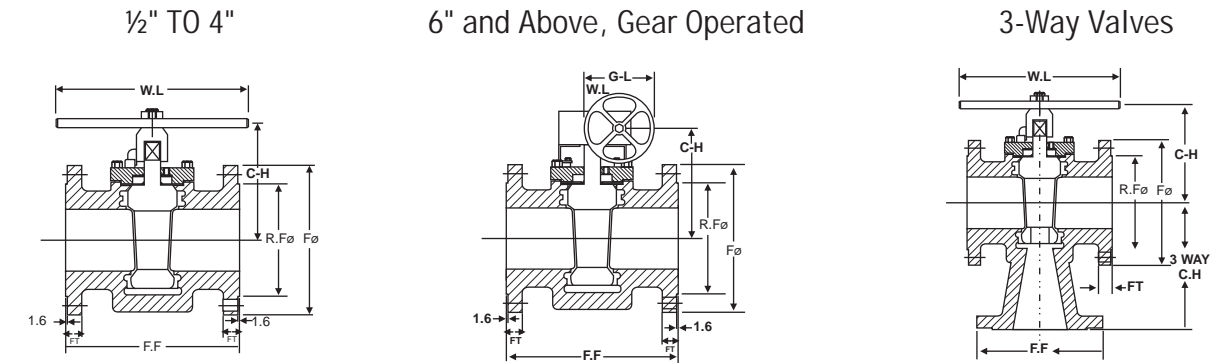
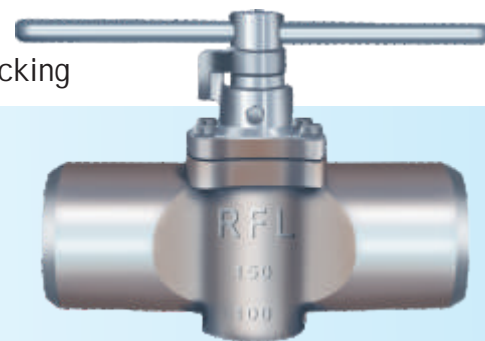


Mounting Bracket for Actuator



Sleeved plug valve with extended gland packing

Extended Gland Packing is also a RASAI's specialty. Extended Packing is available upon customers' request, when specified.



Bri ti sh Uni

all dimensions in Inches

| Si ze | F-F | | FØ | | F.T | | RFØ | RFT | P. C. D | | NOH | | SOH | | W. L | G. L | C-H | | 3-WAY C. H | |
|-------|-------|-------|-------|-------|-------|------|-------|-----|---------|-------|-------|------|-------|------|-------|------|-------|-------|------------|-------|
| | CLASS | | CLASS | | CLASS | | | | CLASS | | CLASS | | CLASS | | | | CLASS | | CLASS | |
| | 150# | 300# | 150# | 300# | 150# | 300# | | | 150# | 300# | 150# | 300# | 150# | 300# | | | 150# | 300# | 150# | 300# |
| 1/2 | 4.25 | 5.50 | 3.50 | 3.75 | .44 | .56 | 1.38 | .06 | 2.38 | 2.63 | 4 | 4 | .63 | .63 | 6.38 | | 2.92 | 2.92 | 2.75 | 2.88 |
| 3/4 | 4.63 | 6.00 | 3.88 | 4.63 | .44 | .63 | 1.69 | .06 | 2.75 | 3.25 | 4 | 4 | .63 | .75 | 6.38 | | 2.92 | 2.92 | 2.88 | 3.00 |
| 1 | 5.00 | 6.50 | 4.25 | 4.88 | .44 | .69 | 2.00 | .06 | 3.13 | 3.50 | 4 | 4 | .63 | .75 | 8.75 | | 3.25 | 3.25 | 3.50 | 3.78 |
| 1 1/2 | 6.50 | 7.50 | 5.00 | 6.13 | .56 | .81 | 2.88 | .06 | 3.88 | 4.50 | 4 | 4 | .63 | .88 | 12.50 | | 3.75 | 3.75 | 4.13 | 4.38 |
| 2 | 7.00 | 8.50 | 6.00 | 6.50 | .63 | .88 | 3.63 | .06 | 4.75 | 5.00 | 4 | 8 | .75 | .75 | 18.00 | | 4.50 | 4.50 | 4.50 | 4.78 |
| 2 1/2 | 8.00 | 11.13 | 7.50 | 8.25 | .75 | 1.13 | 4.13 | .06 | 5.50 | 5.88 | 4 | 8 | .75 | .88 | 24.00 | | 4.75 | 4.75 | 5.13 | 5.58 |
| 3 | 8.00 | 11.13 | 7.50 | 8.25 | .75 | 1.13 | 5.00 | .06 | 6.00 | 6.63 | 4 | 8 | .75 | .88 | 24.00 | | 5.00 | 5.00 | 6.13 | 5.58 |
| 4 | 9.00 | 12.00 | 9.00 | 10.00 | .94 | 1.25 | 6.19 | .06 | 7.50 | 7.88 | 8 | 8 | .75 | .88 | 30.00 | | 6.10 | 6.10 | 6.00 | 6.78 |
| 6 | 10.50 | 15.88 | 11.00 | 12.50 | 1.00 | 1.44 | 8.50 | .06 | 9.50 | 10.63 | 8 | 12 | .88 | .88 | | 18 | 7.75 | 7.75 | 7.50 | 8.50 |
| 8 | 11.50 | 16.50 | 13.50 | 15.00 | 1.13 | 1.63 | 10.63 | .06 | 11.75 | 13.00 | 8 | 12 | .88 | 1.00 | | 18 | 9.50 | 9.50 | 9.00 | 10.00 |
| 10 | 13.00 | 18.00 | 16.00 | 17.50 | 1.19 | 1.88 | 12.75 | .06 | 14.25 | 15.25 | 12 | 16 | 1.00 | 1.13 | | 24 | 11.00 | 11.00 | 11.00 | 12.00 |
| 12 | 14.00 | 19.75 | 19.00 | 20.50 | 1.25 | 2.00 | 15.00 | .06 | 17.00 | 17.75 | 12 | 16 | 1.00 | 1.25 | | 30 | 12.50 | 12.50 | | |
| 14 | 15.00 | 30.00 | 21.00 | 23.00 | 1.38 | 2.12 | 16.25 | .06 | 18.75 | 20.25 | 12 | 20 | 1.13 | 1.25 | | 30 | 13.00 | 13.00 | | |
| 16 | 30.00 | 33.00 | 23.50 | 25.50 | 1.44 | 2.25 | 18.50 | .06 | 21.25 | 22.50 | 16 | 20 | 1.13 | 1.38 | | 24 | 15.00 | 15.00 | | |

Metri c Uni t

all dimensions in Millimetre

| Si ze | F-F | | FØ | | F.T | | RFØ | RFT | P. C. D | | NOH | | SOH | | W. L | G. L | C-H | | 3-WAY C. H | |
|-------|-------|------|-------|------|-------|------|-----|-----|---------|------|-------|------|-------|------|------|------|-------|------|------------|-----|
| | CLASS | | CLASS | | CLASS | | | | CLASS | | CLASS | | CLASS | | | | CLASS | | | |
| | 150# | 300# | 150# | 300# | 150# | 300# | | | 150# | 300# | 150# | 300# | 150# | 300# | | | 150# | 300# | | |
| 15 | 108 | 140 | 89 | 96 | 11 | 14.3 | 35 | 1.5 | 60 | 67 | 4 | 4 | 16 | 15 | 152 | | 74 | 74 | 70 | 73 |
| 20 | 117 | 152 | 98 | 117 | 11 | 16 | 43 | 1.5 | 70 | 83 | 4 | 4 | 16 | 19 | 152 | | 74 | 74 | 73 | 76 |
| 25 | 127 | 165 | 108 | 124 | 11 | 17.5 | 51 | 1.5 | 79 | 89 | 4 | 4 | 16 | 19 | 178 | | 82 | 82 | 89 | 96 |
| 40 | 165 | 190 | 127 | 156 | 14.3 | 20.7 | 73 | 1.5 | 98 | 114 | 4 | 4 | 16 | 22 | 229 | | 95 | 95 | 105 | 111 |
| 50 | 178 | 216 | 152 | 165 | 16 | 22.3 | 92 | 1.5 | 121 | 127 | 4 | 8 | 19 | 19 | 305 | | 114 | 114 | 114 | 121 |
| 65 | 203 | 283 | 190 | 210 | 19 | 29 | 105 | 1.5 | 140 | 149 | 4 | 8 | 19 | 22 | 457 | | 120 | 120 | 130 | 141 |
| 80 | 203 | 283 | 190 | 210 | 19 | 29 | 127 | 1.5 | 152 | 168 | 4 | 8 | 19 | 22 | 457 | | 127 | 127 | 130 | 141 |
| 100 | 229 | 305 | 229 | 254 | 24 | 32 | 157 | 1.5 | 190 | 200 | 8 | 8 | 19 | 22 | 762 | | 154 | 154 | 152 | 171 |
| 150 | 267 | 403 | 279 | 318 | 25.4 | 37 | 216 | 1.5 | 241 | 270 | 8 | 12 | 22 | 22 | | 224 | 196 | 196 | 190 | 216 |
| 200 | 292 | 419 | 343 | 381 | 29 | 41 | 270 | 1.5 | 298 | 330 | 8 | 12 | 22 | 25 | | 406 | 241 | 241 | 229 | 254 |
| 250 | 330 | 457 | 406 | 445 | 30 | 48 | 324 | 1.5 | 362 | 387 | 12 | 16 | 25 | 29 | | 406 | 279 | 279 | 280 | 305 |
| 300 | 356 | 502 | 483 | 521 | 32 | 51 | 381 | 1.5 | 432 | 450 | 12 | 16 | 25 | 32 | | 406 | 317 | 317 | | |
| 350 | 381 | 762 | 527 | 584 | 35 | 54 | 413 | 1.5 | 476 | 514 | 12 | 20 | 29 | 32 | | 406 | 330 | 330 | | |
| 400 | | 838 | 597 | 648 | 37 | 57.2 | 470 | 1.5 | | 572 | | 20 | 29 | 35 | | 459 | 381 | 381 | | |

LEGEND

| | | | |
|-------|-----------------------|-----------|------------------------------------|
| F-F | FACE TO FACE | NOH | NUMBER OF HOLES |
| FØ | FLANGE DIAMETRE | SOH | SIZE OF HOLE |
| F-T | FLANGE THICKNESS | W.L | WRENCH LENGTH |
| RFØ | RAISED FACE DIAMETRE | G.L | GEAR LENGTH |
| RF.T | RAISED FACE THICKNESS | C-H | CENTER OF FLANGE TO HEIGHT OF BODY |
| P.C.D | PITCH CIRCLE DIAMETRE | 3-WAY C-H | CENTER OF FLANGE TO BOTTOM FLANGE |