

BRITISH DESIGN



GLOBAL SUPPLY



Butterfly Valve~Double Eccentric, Metal Seated

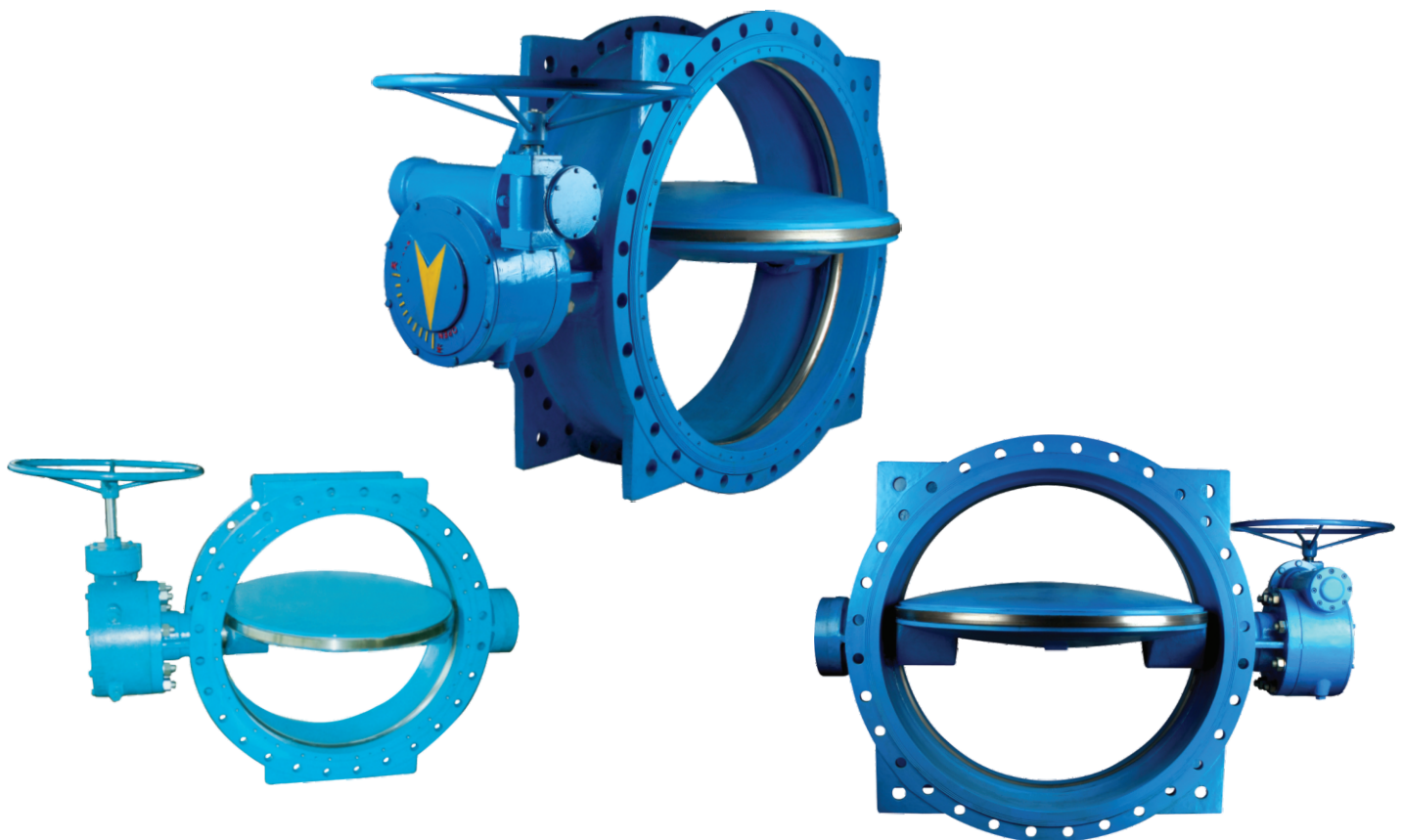
PN 10/16 Temp -20 to +120°C DN 150 to DN2000

Double Eccentric Disc - Low Torque, Low Wear
Body Seat Ring Stainless St
Disc Seat Stainless St Weld Overlay - Micro Finish
Robust Buried Service Worm Gear Box, IP 68
Dynamic Disc Profile - Small Headloss, No Flutter
Disc to Shaft Connection - Keyway & Pin
Robust Construction - Surge Security, Long Life

Disc Off Seated in few degrees travel
Valve Body & Disc Ductile Iron GGG50
Stainless Steel Shafts fully encapsulated in
Aluminium Bronze Bearings maintenance free
Body & Disc Coated 250 µmFBE
Fasteners Stainless Steel

Valve design, testing & certified materials for potable water as required by:
WRAS, DVGW, ACS, KIWA.

Manufacture: BS EN ISO 9001:2008 QMS, ISO 14001:2004 EMS
Design Standard: EN593 & Bs5155, F/F EN558 Series 13, 14

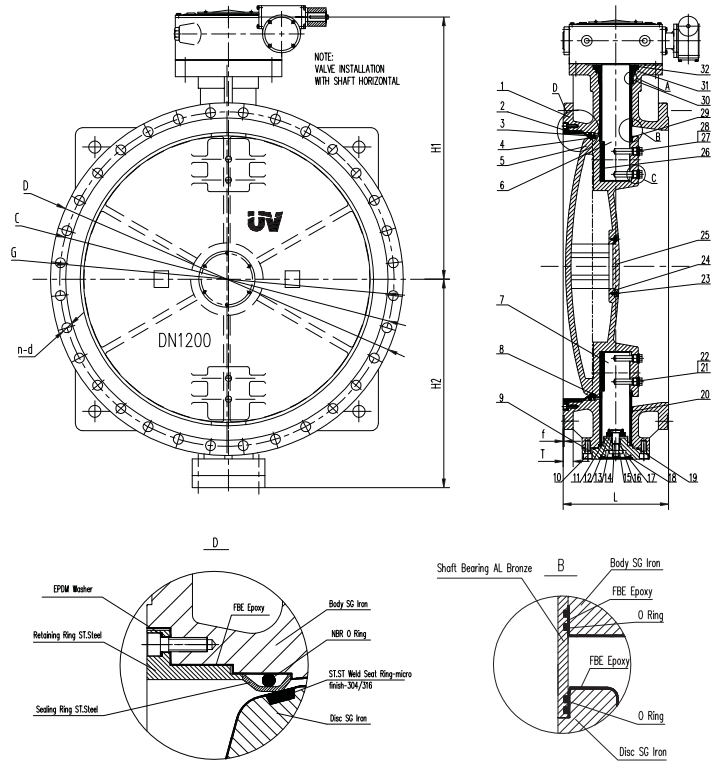


Butterfly Valve~Double Eccentric, Metal Seated

PN 10/16 Temp -20 to +120°C DN 150 to DN2000

Materials list

No.	Name & Spec	Qty	Materials
1	Body	1	SG IRON BS EN 1563 ,GR EN-GJS-500-7
2	Retaining Ring/Bolts	1	ST.STEEL304/316 +ST.STEEL A2-70/A4-80
3	Body Seat Ring/O Ring	1	ST.STEEL X7CrNiTi18-10 +WRAS NBR O Ring
4	Disc Seat Ring	1	ST.ST Weld Seat Ring-micro finish-304/316
5	Disc	1	SG IRON BS EN 1563,GR EN-GJC-500-7
6	Upper Shaft	1	ST.STEEL BS EN10088 GRADE 1.4057/X17CrNi16-2
7	Lower Shaft	1	ST.STEEL BS EN10088 GRADE 1.4057/X17CrNi16-2
8	Shaft Bearing	1	AL BRONZE -ZnCuAL10Fe3
9	Pressed Cover	1	SG IRON BS EN 1563, GR EN-GJS-500-7
10	Bolts	n	ST.STEEL A2-70/A4-80
11	Bolts	n	ST.STEEL A2-70
12	Fixing Plate	1	ST.STEEL 304
13	Thrust Washer	1	AL BRONZE -ZnCuAL10Fe3
14	Adjustable Bolt	1	ST.STEEL 304
15	Nut	1	ST.STEEL 316
16	O Ring	n	NBR
17	O Ring	1	NBR
18	Bolts	n	ST.STEEL A2-70/A4-80
19	O Ring	1	NBR
20	O Ring	n	NBR(WRAS POTABLE WATER APPROVED)
21	Fixing Pin/Cap	1	ST.STEEL BS EN10088 GRADE 1.4057/X17CrNi16-2
22	O Ring	1	NBR(WRAS POTABLE WATER APPROVED)
23	Bolts	n	ST.STEEL A2-70/A4-80
24	O Ring	1	NBR(POTABLE WATER APPROVED)
25	Disc Pressed Cover	1	SG IRON BS EN 1563, GR EN-GJS-500-7
26	Key	2	STEEL Gr.45/2Cr13
27	Fixing Pin/Cap	1	ST.STEEL BS EN10088 GRADE 1.4057/X17CrNi16-2
28	O Ring	1	NBR(POTABLE WATER APPROVED)
29	O Ring	n	NBR(POTABLE WATER APPROVED)
30	Chevron Seals	n	NBR(POTABLE WATER APPROVED)
31	Pressed Plate	1	STEEL
32	Bolts	n	STEEL-GRADE 12.9/ST.STEEL



Dimensions table DN150 DN2000 Dimensions

DN	Overall Dimensions								Face to Face	
	H1	H2	D	C	G	F	T	n-d	BSEN558 Series13	BSEN558 Series14
150	226	165	285	240	212	3	19	8-φ23	140	210
200	255	192	340	295	268	3	20	12-φ23	152	230
250	293	227	405	355	320	3	22	12-φ28	165	250
300	326	260	460	410	378	4	24.5	12-φ28	178	270
400	423	346	580	525	490	4	28	16-φ31	216	310
450	455	385	640	585	550	4	30	20-φ31	222	330
500	506	422	715	650	610	4	31.5	20-φ34	229	350
600	568	490	840	770	725	5	36	20-φ37	267	390
700	632	550	910	840	795	5	39.5	24-φ37	292	430
800	692	615	1025	950	900	5	43	24-φ40	318	470
900	815	678	1125	1050	1000	5	46.5	28-φ40	330	510
1000	880	743	1255	1170	1115	5	50	28-φ43	410	550

DN	Overall Dimensions								Face to Face	
	H1	H2	D	C	G	F	T	n-d	BSEN558 Series13	BSEN558 Series14
1200	1024	860	1485	1390	1330	5	57	32-φ49	470	630
1400	1210	1010	1685	1590	1530	5	60	36-φ49	530	710
1500	1300	1090	1820	1710	1642	5	62.5	36-φ57	565	—
1600	1340	1140	1930	1820	1750	5	65	40-φ56	600	790
1800	1460	1360	2130	2020	1950	5	70	44-φ56	670	870
2000	1660	1485	2345	2230	2150	5	75	48-φ62	760	950

Utilities Valves Ltd reserves the right to change product design and specification without notice.