



Dimensionamenti - valvola
Design - valve

ANSI B16.34 / EN 12569 / API 608 / EN 17292
ASME VIII DIV.1 / EN 12516-1

Dimensionamenti - camicia
Design - jacket

ASME VIII DIV.1

Estremità flangiate
Flanged ends

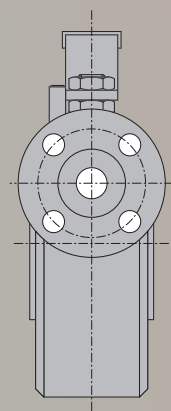
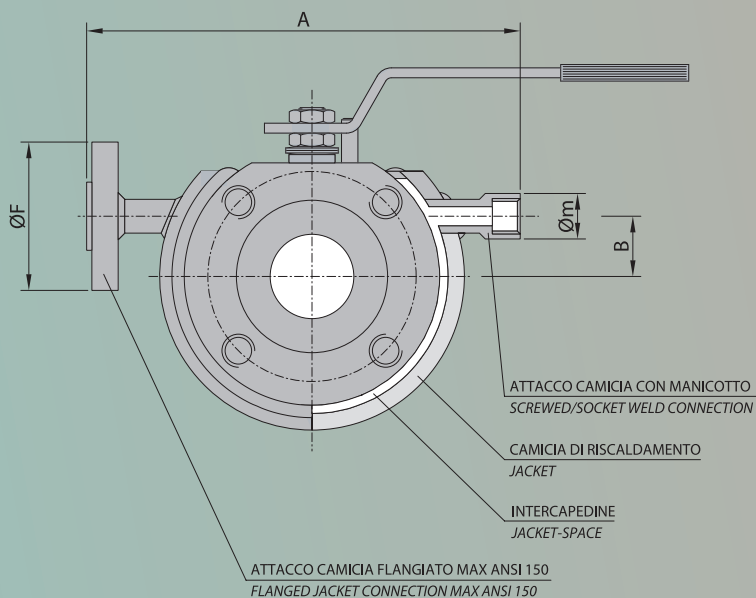
ANSI B16.5 CL. 150 / 300 / 600
EN 1092-1 PN 10/16/25/40/100

Attacchi camicia
Jacket connections

SN / NPT
CL. 150 RF
PN 10/16

Collaudo
Testing

ANSI B16.104
API 598
EN 12266-1
ISO 5208
BS 6755-1

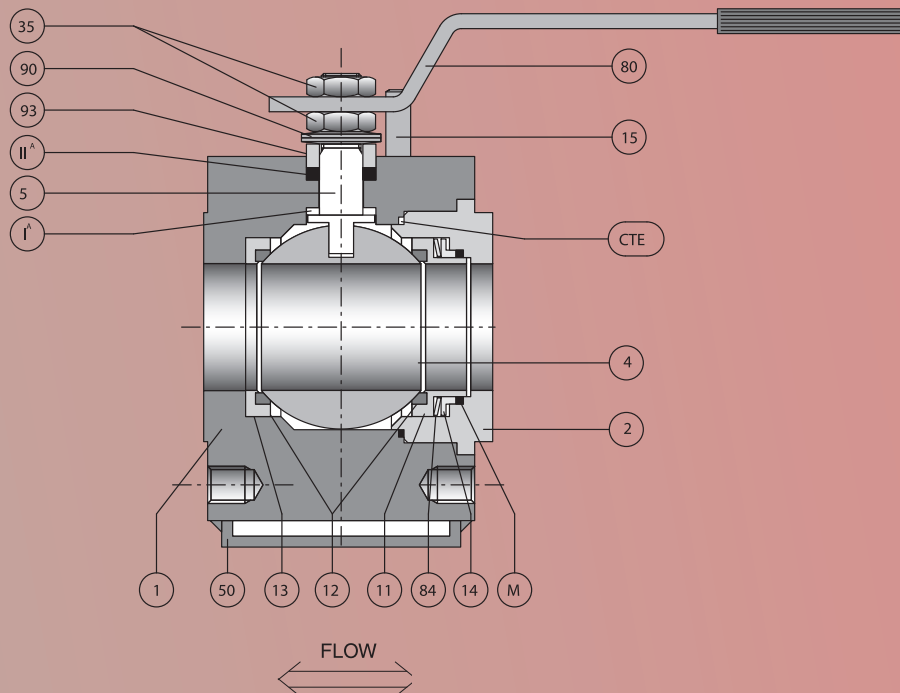


Dimensioni - outline dimensions

DN	15	20	25	40	50	65	80	100	150
Ø"	1/2"	3/4"	1"	1 1/2"	2"	2 1/2"	3"	4"	6"
A	160	160	190	230	250	270	300	340	420
B	0	0	0	30	30	45	50	70	95
ØF	DN 15							DN 25	
Øm	Ø 1/2"							Ø 1"	
Kg	3	3.5	4.5	9	11	20	25	40	80

VALVOLE A SFERA FLOTTANTE A SEGGI METALLICI INCAMICIATA METAL SEATED FLOATING BALL VALVES C/W JACKET

-46 °C +400 °C



TA-LUFT
APPROVED
(CON PROLUNGA 100 MM)
C/W 100 MM STEM ELONGATION



97/23/CE "PED"
CAT I



II 2 GD c T6 X
94/9/CE "ATEX"

Materiali base - base materials

CTE	Guarn. Corpo/Terminale	Body connector gasket	Grafoil	Grafoil	Grafoil
M	Guarn. Retroseggio	Backseat gasket	Grafoil	Grafoil	Grafoil
II ^A	Guarnizione Secondaria	Secondary Stem seal	Grafoil	Grafoil	Grafoil
I ^A	Guarnizione Primaria	Primary stem seal	Grafoil	Grafoil	Grafoil
93	Premi Baderna	Gland	304 S.S.	304 S.S.	304 S.S.
90	Molle Stelo	Stem spring	UNS S30100	UNS S30100	UNS S30100
84	Molle Seggio	Seat spring	UNS S30100	UNS S30100	UNS S30100
80	Leva	Handle	Fe37 UNI 7070	Fe37 UNI 7070	Fe37 UNI 7070
50	Camicia riscaldamento	Heating jacket	A105	304 S.S.	304 S.S.
35	Dadi Stelo	Nut	304 S.S.	304 S.S.	304 S.S.
15	Fermo Leva	Lever stopper	UNI 3740 Gr. 8.8	UNI 3740 Gr. 8.8	UNI 3740 Gr. 8.8
14	Premigrafoil	Compression ring	A479 Tp.316	A479 Tp.316	A479 Tp.316
13	Cassetto Corpo	Body seat holder	A479 Tp.316	A479 Tp.316	A479 Tp.316
12	Seggio	Seat	PENTAFITE ST6 WC/CRC	PENTAFITE ST6 WC/CRC	PENTAFITE ST6 WC/CRC
11	Cassetto Terminale	Connector seat holder	A479 Tp.316	A479 Tp.316	A479 Tp.316.
5	Stelo	Stem	13% Cr. A564 Tp.630 (17/4PH)	A564 Tp.630 (17/4PH)	A564 Tp.630 (17/4PH)
-	Riporto Sfera	Ball coating	HTC/HCR ST6 WC/CRC	HTC/HCR ST6 WC/CRC	HTC/HCR ST6 WC/CRC
4	Sfera	Ball	A479 Tp.316	A479 Tp.316	A479 Tp.316
2	Terminale	Connector	A105	A479 Tp.304	A479 Tp.316
1	Corpo	Body	A105	A479 Tp.304	A479 Tp.316

P. No. Parte - Part Name

Materiale - Material

Altri materiali disponibili su richiesta - Other materials are available on request

HTC = Nitruri di Titanio (Titanium Nitrides); HCR = Nitruri di Cromo (Chrome Nitrides); ST6 = Stellite 6 Detonation Gun/HVOF
WC = Carburi di Tungsteno (Tungsten Carbides Detonation Gun/HVOF); CRC = Carburi di Cromo (Chrome Carbides Detonation Gun/HVOF)