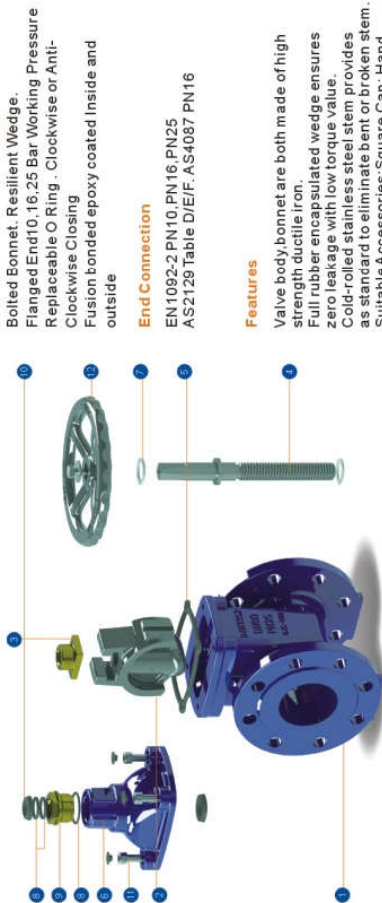


## DIN VALVE SERIES RESILIENT SEATED GATE VALVE

### Connection

EN 1092-2 PN16, AS 2129 Table E.



Bolted Bonnet. Resilient Wedge.  
Flanged End/0.16, 25 Bar Working Pressure  
Replaceable O Ring . Clockwise or Anti-  
Clockwise Closing  
Fusion bonded epoxy coated inside and  
outside

### End Connection

EN1092-2 PN10, PN16, PN25  
AS2129 Table D/E/F. AS4087 PN16

### Features

Valve body, bonnet are both made of high  
strength ductile iron.  
Full rubber encapsulated wedge ensures  
zero leakage with low torque value.  
Cold-rolled stainless steel stem provides  
as standard to eliminate bent or broken stem.  
Suitable Accessories: Square Cap; Hand  
wheel; ISO5210 Top Flange; Extension  
Spindle; T Key

### Material List

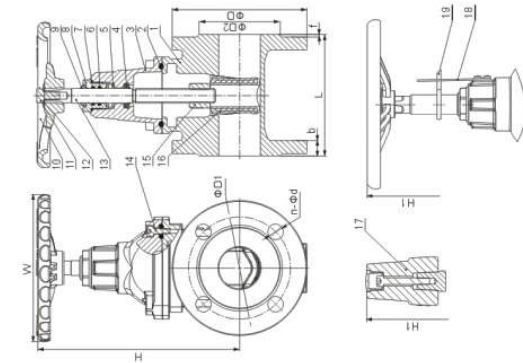
Item	Component	Material	Specification
1	Body	Ductile Iron	GGG50 (EN-GJS-500-7)
2	Wedge	Ductile Iron+EPDM	GGG50+EPDM
3	Wedge Nut	Ductile Iron +NBR *	GGG50+NBR *
		Brass	Copper alloy EN12165
		Bronze *	EN1982 CC491K *
4	Stem	Stainless Steel	SS420, SS431*, SS316*, Super duplex F51*
5	Bonnet Gasket	EPDM /NBR *	EPDM/NBR *
6	Bonnet	Ductile Iron	GGG50 (EN-GJS-500-7)
7	Thrust Washer	Brass/Nylon	PTFE/Nylon
8	O Ring	EPDM NBR *	EPDM NBR *
9	Stuffing Nut	Brass	Copper Alloy EN12165
10	Dust Guard	EPDM NBR *	EPDM NBR *
11	Bonnet Bolts	Galvanized Steel, Stainless Steel	8.8 Grade Steel, SS304, SS316
12	Hand Wheel	Ductile Iron	GGG50 (EN-GJS-500-7)

\* for selection

HIWA product specification in this catalogue is for reference only, the product construction is subject to HIWA's design. HIWA reserves the rights to change the design, construction, specification without prior notice and without taking any obligation. For any definite information kindly contact with HIWA directly.

## RESILIENT SEATED GATE VALVE EN1074-1,2/EN558-1 14/15 SERIES

Z4714A (F4 Length)  
Z4715A (F5 Length)



### Features

Replaceable O-ring  
Low torque operation  
Rubber Encapsulated wedge  
Clockwise to close  
Fusion bonded epoxy coated inside and outside  
PN25 Rating is available.

### Technical Specification

- Design According to : DIN3352
- Face to Face Dimension according to DIN3202 F4
- Flange Drilling according to EN1092-2 PN10/16.
- Test According to ISO 5208.

DN	Pressure Test To ISO5208		
	Pressure Rating(MPa)	Hydro-Test Pressure(MPa)	Seat
40-300	1.0	1.5	1.1
	1.6	2.4	1.76

Optional Extras  
Stem cap  
Position Indicator  
Extension Spindle/T key

### Material Specifications

Item	Part Name	Material
1	Body	GJS500-7
2	Bonnet Gasket	EPDM/NBR
3	Bonnet	GJS500-7
4	V Ring	EPDM/NBR
5	Washer	Nylon
6	O Ring	EPDM/NBR
7	O Ring	EPDM/NBR
8	Stem Nut	Bronze B62/Brass
9	Dust Ring	EPDM/NBR
10	Handwheel	GJS500-7

Item	Part Name	Material
11	Bolt	S.Steel 1.4301
12	Washer	S.Steel 1.4301
13	Stem	S.Steel 1.4301
14	Bolt	S.Steel 1.4301
15	Wedge Nut	Bronze B62/Brass
16	Wedge	GJS500-7+EPDM
17	Cap	GJS500-7
18	Indicator	Carbon Steel
19	Pointer	Carbon Steel
20		

### Dimensions(mm)

DN	Z4714A(F4 Length)		Z4715A(F5 Length)		EN1092-PN10/PN16		H	H1	H2	
	L	L	L	L	b	f				
40	140	240	150	84	19	4-19	3	254	278	283
50	150	250	165	99	19	4-19	3	247	250	278
65	170	270	185	145	19	4-19	3	253	260	285
80	180	280	200	160	19	8-19	3	313	313	350
100	190	300	220	180	19	8-19	3	350	342	394
125	200	325	250	210	184	8-19	3	350	451	457
150	210	350	285	240	211	8-23	3	440	440	482
200	230	400	340	295	266	20	8-23	3	565	570
250	250	450	400	355	319	22	12-23	3	637	653
300	270	500	455	400	410	24.5	12-28	4	727	729

HIWA product specification in this catalogue is for reference only, the product construction is subject to HIWA's design. HIWA reserves the rights to change the design, construction, specification without prior notice and without taking any obligation. For any definite information kindly contact with HIWA directly.