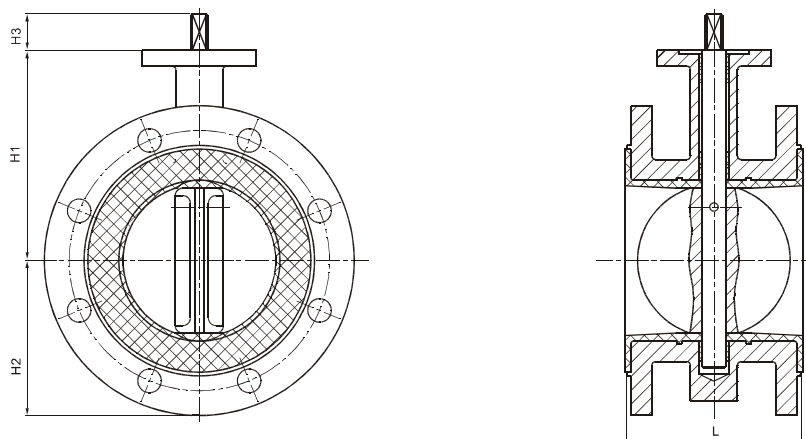


Fig. B70F



Standard Specification

Body Type	Flange Type
Working Pressure	PN10,PN16,Class 125,10K,16K
Face to Face	EN558-1 13 Series
Top Flange	ISO 5211
Flange Drilling	ISO 7005,BS EN1092,JIS B2220, ASME Class 125/Class 150, AS2129 Table D/E,GB/T 9113
Disc and Stem Connection Type	Pin,Spline,Two Pieces
Stem Top	Round,Square,45° square,Double D

Dimensions(mm)

Size	mm	50	65	80	100	125	150	200	250	300	350	400	450	500	600	700	800	900	1000	1200
	inch	2"	2-1/2"	3"	4"	5"	6"	8"	10"	12"	14"	16"	18"	20"	24"	28"	32"	36"	40"	48"
L		108	112	114	127	140	140	152	185	178	190	216	222	229	267	292	318	330	410	470
H1		120	145	130	165	180	190	240	260	300	330	370	400	500	525	570	630	690	745	925
H2		80	75	90	115	110	150	160	195	220	245	267	300	390	425	480	575	560	637	775
H3		29	29	29	29	29	29	35	35	35	45	51.2	51.2	64.2	70.2	66	66	118	142	160
Top Flange		F05	F05	F05	F07	F07	F07	F10	F10	F10	F14	F14	F14	F14	F16	F25	F25	F25	F25	F30

Hiwa product specifications in this catalogue are for reference only. Hiwa reserves the rights to change the design, construction, specification and materials without prior notice.