



# 河南泉舜流体控制科技有限公司

HENAN QUANSHUN FLOW CONTROL SCIENCE & TECHNOLOGY CO.,LTD.



## 河南泉舜流体控制科技有限公司

HENAN QUANSHUN FLOW CONTROL SCIENCE & TECHNOLOGY CO.,LTD.

地址：河南省郑州市高新区化工路28号

Address: NO. 28 Huagong Road, High-tech Development Zone, Zhengzhou, Henan Province.

邮编(Zip): 450001

电话(Tel.): 86-371-63976206 55693187

传真(Fax.): 86-371-63976001 55693182

24小时客服热线(24-hour customer service hotline):

400-6255-999

网址(Website): [www.qslk.cn](http://www.qslk.cn)

信箱(E-mail): [hnqsjt@qslk.cn](mailto:hnqsjt@qslk.cn)



泉舜二维码

## 水煤浆放料阀系列

## CWS Dumping Valve Series





铸造水煤浆放料阀  
Casting CWS Dumping Valve



焊接水煤浆放料阀  
Welding CWS Dumping Valve

水煤浆放料阀是我公司在消化、吸收国外先进技术的基础上，结合我国煤化工装置生产实践，并充分考虑水煤浆特性，开发、研制的专用产品。经过多年的不断探索和经验积累，形成了煤化、石油、化工等行业专用阀门系列设计、制造、质保、服务的完整体系，获得了陕西延长石油、宁波万华、安徽淮化、天脊煤化、内蒙古天润、大唐集团、东华工程科技、奎屯锦疆化工等广大用户的一致好评。

CWS Dumping Valve is a special product that our company developed in accordance with the foreign advanced technology and combined with the production condition of our country's coal chemical industry. After years of constant exploration and experience accumulation, we have formed a complete set of system from the design, manufacture, assurance to the service of special valve series in the industry of coal chemical, petroleum, chemical etc., which gained good reception from our customers, like Shanxi yanchang petroleum, Ningbo wanhua, Anhui huaihua, Tianji coal chemical, Neimenggu tianrun, Datang Group, Donghua engineering technology, Kuntun jinjiang chemical etc.

主要零部件材料/Main part material

序号 No.	名称 Name	材质 Material	序号 No.	名称 Name	材质 Material
1	阀体 Body	WCB/CF8+内喷耐磨、耐腐蚀材料 WCB/CF8+anti-corrosion	4	阀瓣 Disc	A105/304+堆焊超硬耐磨合金 A105/304+Hard welding alloy
2	支架 Yoke	WCB/CF8	5	阀杆 Stem	304、316、17-4PH、20Cr13
3	阀座 Seat	A105/304+堆焊超硬耐磨合金 A105/304+Hard welding alloy	6	填料 Packing	柔性石墨、PTEE Grphite、PTEE

备注：1. 所有与介质接触的部件（包括阀体、阀盘、阀座和阀杆等）表面(阀盘和阀座的密封面除外)，全部喷涂耐磨、耐腐蚀材料，HRC≥50，厚度≥0.2mm。

2. 公称直径4"采用手轮操作。

Notes: 1. All parts in contact with the medium (including the body, disc, seat and stem etc., excluding the sealing surface of disc and seat) need to be coated with wear-resistant and corrosion-resistant materials. HRC ≥ 50, thickness ≥ 0.2mm.

2. DN 4" valve should be hand-wheel operated.

引用标准/Standard

BS1873	石油、石油化学及有关工业用钢球形阀、球形截止阀与单向阀(有法兰及对接焊端)规范 Specification for steel globe and globe stop and check valves (flanged and butt-welding ends) for the petroleum, petrochemical and allied industries
GBT 12235-1989	通用阀门 法兰连接钢制截止阀和升降式止回阀 General purpose industrial valves-Flanged steel globe valves and lift check valves
HG/T20592	化工部钢制管法兰(欧洲系列) Steel pipe flanges, gaskets and bolting (PN designated)
HG/T20615	化工部钢制管法兰(美洲系列) Steel pipe flanges (class designated)
GB/T12220	通用阀门 标志 General purpose industrial valves—Marking
GB/T12221	金属阀门 结构长度 Metal valves—face to face, end to end, center to face and center to end dimension
API598	通用阀门 压力试验 Valve inspection and testing
JB/T9092	检验及试验标准 Valve inspection and testing
JB/T5300	通用阀门材料选用导则 General purpose industrial valves material—Selection guide line
JB/T8531	手动阀门技术条件 Technical specification for hand-operated valves

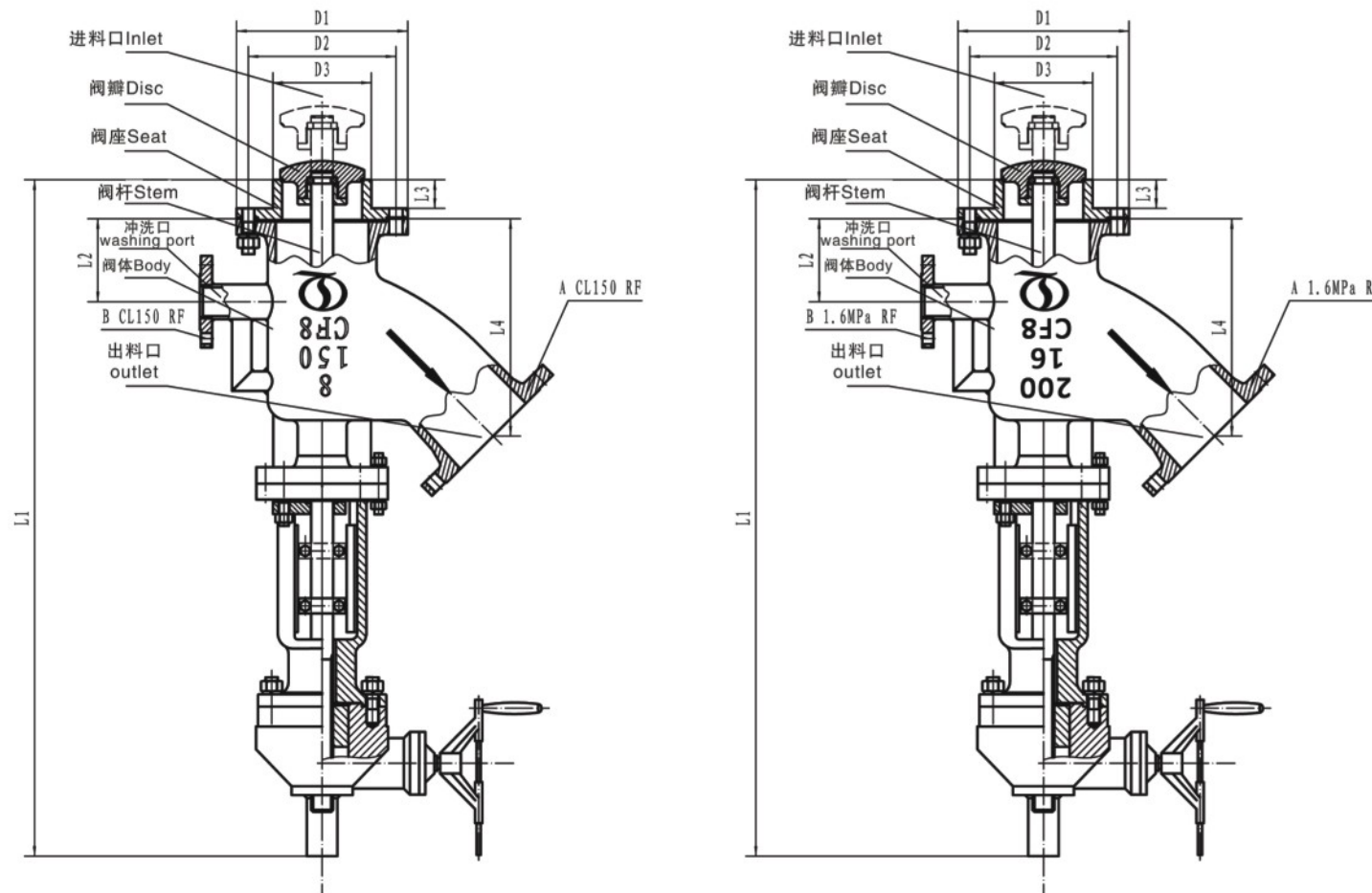
产品性能规范/Products performance specification

公称压力 Nominal pressure	壳体试验压力 Shell test (MPa)	密封试验压力 Seal test (MPa)	工作温度 Applicable temperature	适用介质 Applicable medium	驱动方式 Operated type
Class 150 (PN2.0)	3.0	2.2	≤425℃	氨盐水、颗粒料浆、碱液等腐蚀性介质 Ammonia brine, particle slurry, lye and other corrosive medium	手动、齿动、电动、气动 Hand operated, gear operated, pneumatic operated, electric operated
PN 1.6	2.4	1.76			

CL150上展式水煤浆放料阀尺寸表  
Class150 Upward-flared CWS Dumping valve dimension

公称直径 Nominal diameter (in)	尺寸 Size(mm)								
	L1	L2	L3	L4	D1	D2	D3	A	B
4"	950	134	45	267	230	190.5	108	4"	11/4"
5"	1045	120	41	300	255	216	134	5"	2"
6"	1204	100	47	356	280	241.5	161	6"	2"
8"	1440	145	42	426	345	298.5	219	8"	3"
10"	1735	185	55	538	405	362	275	10"	4"
12"	1961	197	49	588	485	432	317	12"	4"
14"	2035	200	38.5	595	535	476	340	14"	4"

主要外形尺寸/Main outline dimension



上展式放料阀  
Upward Expanded CWS Dumping Valve

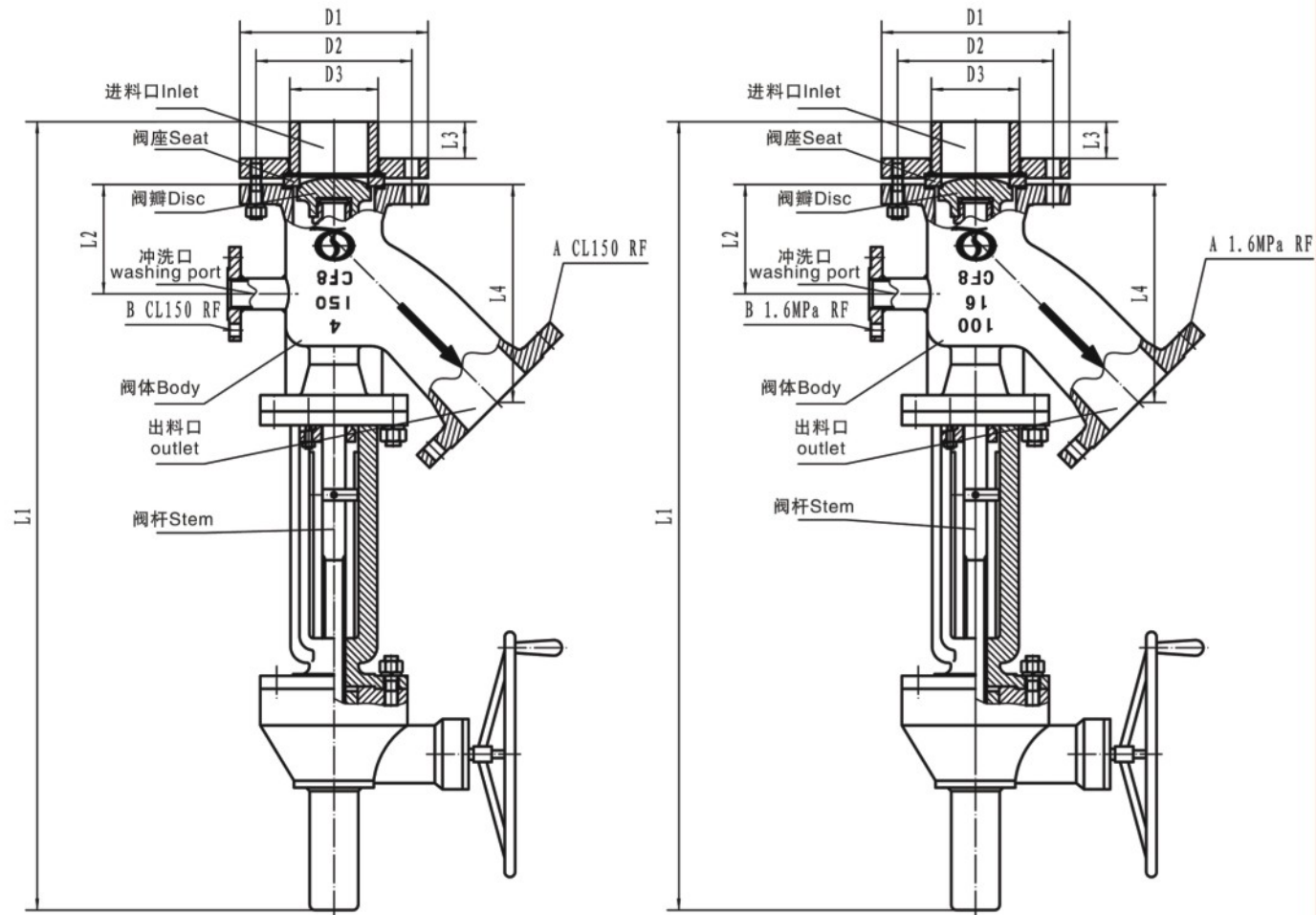
下展式放料阀  
Down ward Expanded CWS Dumping Valve

1.6 MPa上展式水煤浆放料阀尺寸表  
1.6 MPa Upward-flared CWS Dumping valve dimension

公称直径 Nominal diameter (DN)	尺寸 Size(mm)								
	L1	L2	L3	L4	D1	D2	D3	A	B
100	950	134	45	267	230	190.5	108	DN100	DN32
125	1045	120	41	300	255	216	134	DN125	DN50
150	1204	100	47	356	280	241.5	161	DN150	DN50
200	1440	145	42	426	345	298.5	219	DN200	DN80
250	1735	185	55	538	405	362	275	DN250	DN100
300	1961	197	49	588	485	432	317	DN300	DN100
350	2035	200	38.5	595	535	476	340	DN350	DN100

注：以上产品均可按用户要求尺寸定制。

Notes: Above products can be produced according to the customers' request.



上展式放料阀  
Upward Expanded CWS Dumping Valve

下展式放料阀  
Downward Expanded CWS Dumping Valve

CL150下展式水煤浆放料阀尺寸表  
CL150 Downward-flared CWS Dumping Valve Dimension Form

公称直径 Nominal diameter (in)	尺寸 Size(mm)								
	L1	L2	L3	L4	D1	D2	D3	A	B
4"	950	134	45	267	230	190.5	108	4"	11/4"
5"	1045	120	14	300	255	216	134	5"	2"
6"	1204	100	47	356	280	241.5	161	6"	2"
8"	1440	145	42	426	345	298.5	219	8"	3"
10"	1735	185	55	538	405	362	275	10"	4"
12"	1961	197	49	588	485	432	317	12"	4"
14"	2035	200	38.5	595	535	476	340	14"	4"

1.6 MPa下展式水煤浆放料阀尺寸表  
1.6MPa Downward-flared CWS Dumping Valve Dimension Form

公称直径 Nominal diameter (DN)	尺寸 Size(mm)								
	L1	L2	L3	L4	D1	D2	D3	A	B
100	950	134	45	267	230	190.5	108	DN100	DN32
125	1045	120	14	300	255	216	134	DN125	DN50
150	1204	100	47	356	280	241.5	161	DN150	DN50
200	1440	145	42	426	345	298.5	219	DN200	DHN50
250	1735	185	55	538	405	362	275	DN250	DN100
300	1961	197	49	588	485	432	317	DN300	DN100
350	2035	200	38.5	595	535	476	340	DN350	DN100

注：以上产品均可按用户要求尺寸定制。

Notes: Above products can be produced according to the customers' request.